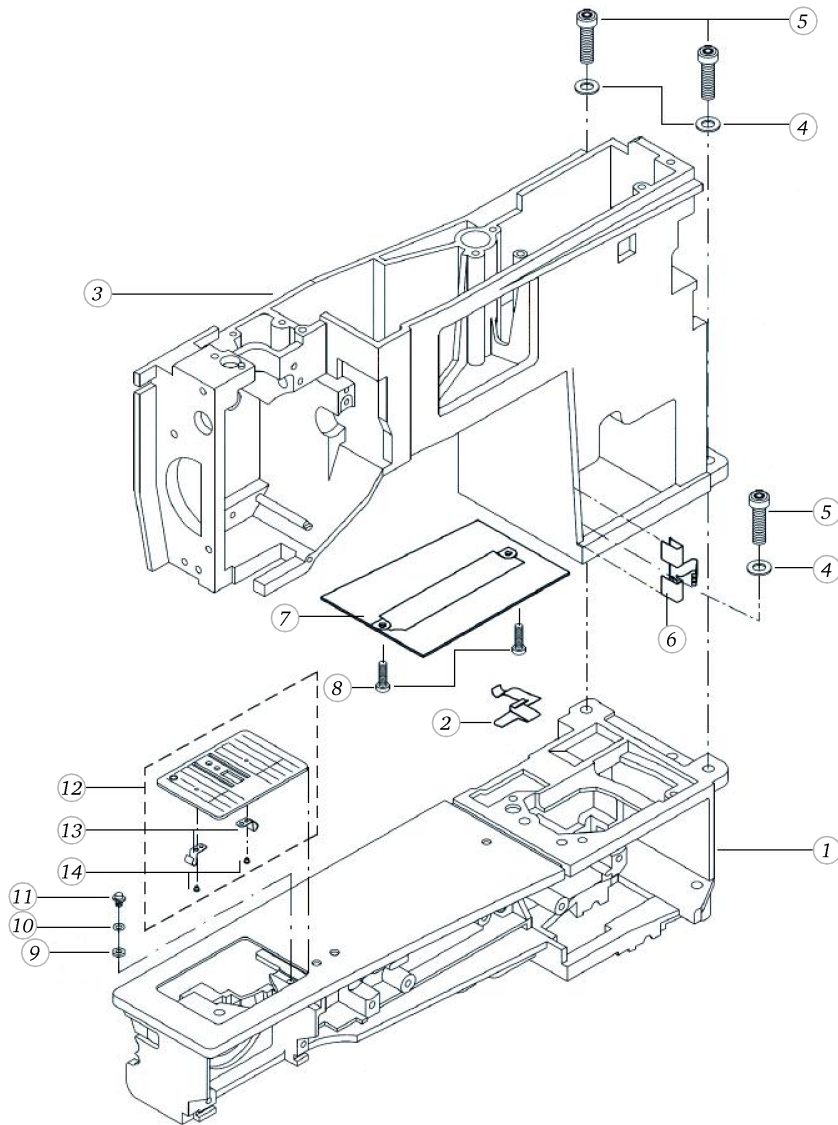




Spare Parts

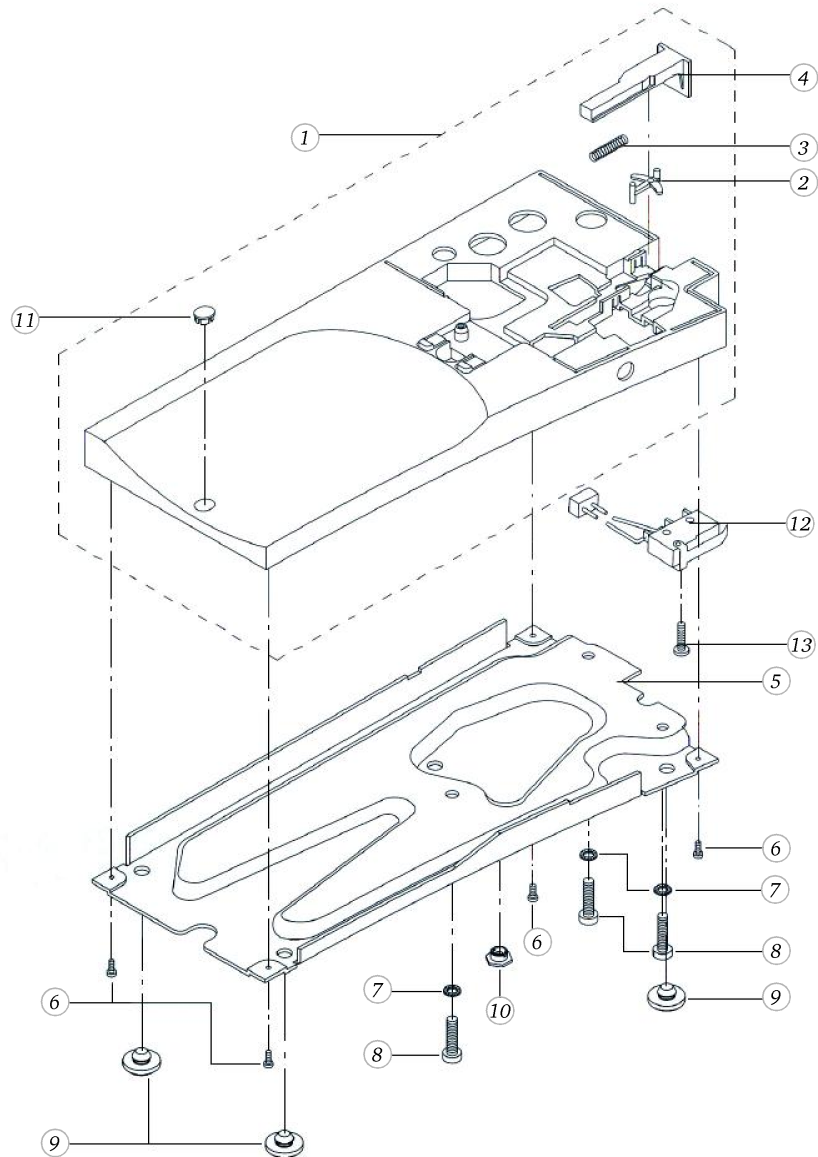
BERNINA artista 200



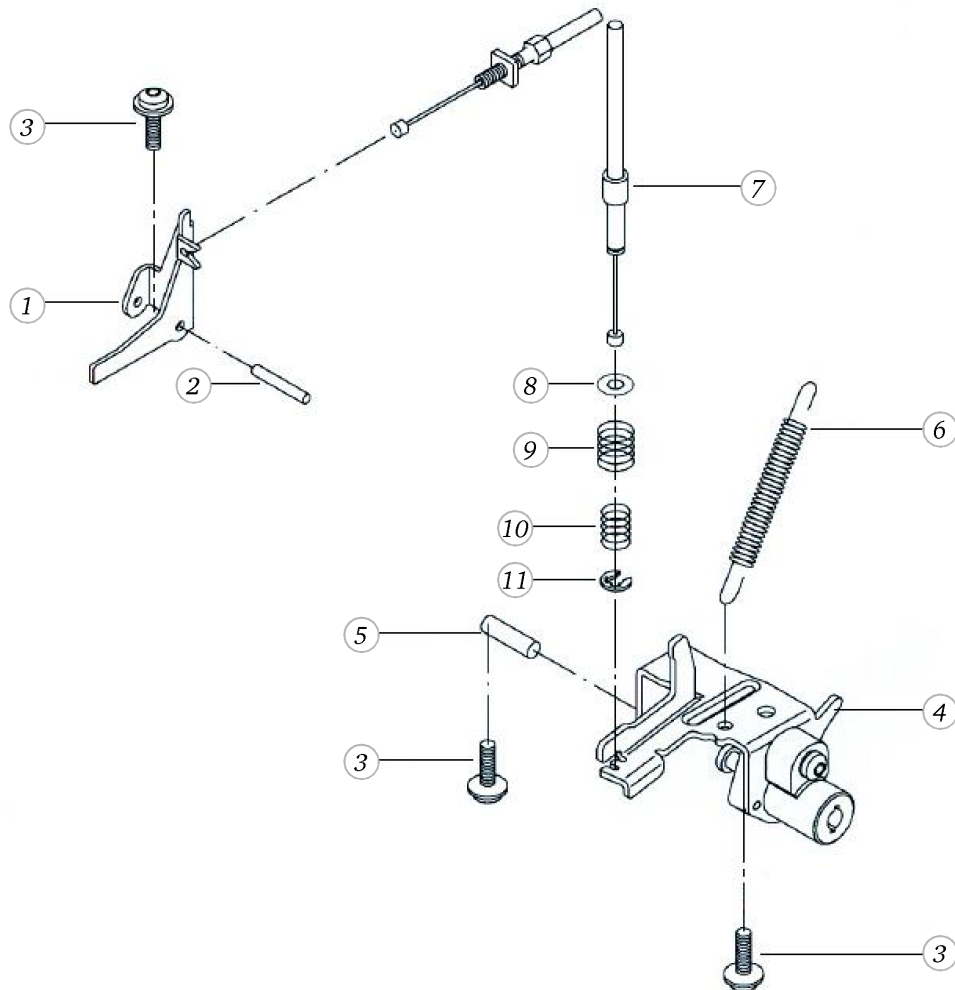
Pos	Item number	Description
1	0079015101	FOUNDATION RL
2	0307435000	CONTACT SPRING
3	0089985400	UPPER ARM
4	22959313++	WASHER
5	0077525067	SCREW
6	0307425000	CONTACT SPRING
7	0304707200	I/O-PRINT
8	0078865042	Socket Pan Head Thread Forming Screws M4x8 DIN7500 - BN13916 Art-No. 2027585
9	22502313++	HEXAGONAL NUT
10	23225753++	Curved Spring Washers M3 DIN 137 A - BN795 Art- No. 1280317
11	0026045200	SPECIAL BOLT
12	0079297100	NEEDLE PLATE 9MM
13	0078755200	Clip
13	0078755300	Clip
14	20500223++	Slotted Machine Screw M2x1.8 nickel-plated

BERNINA artista 200

Base plate

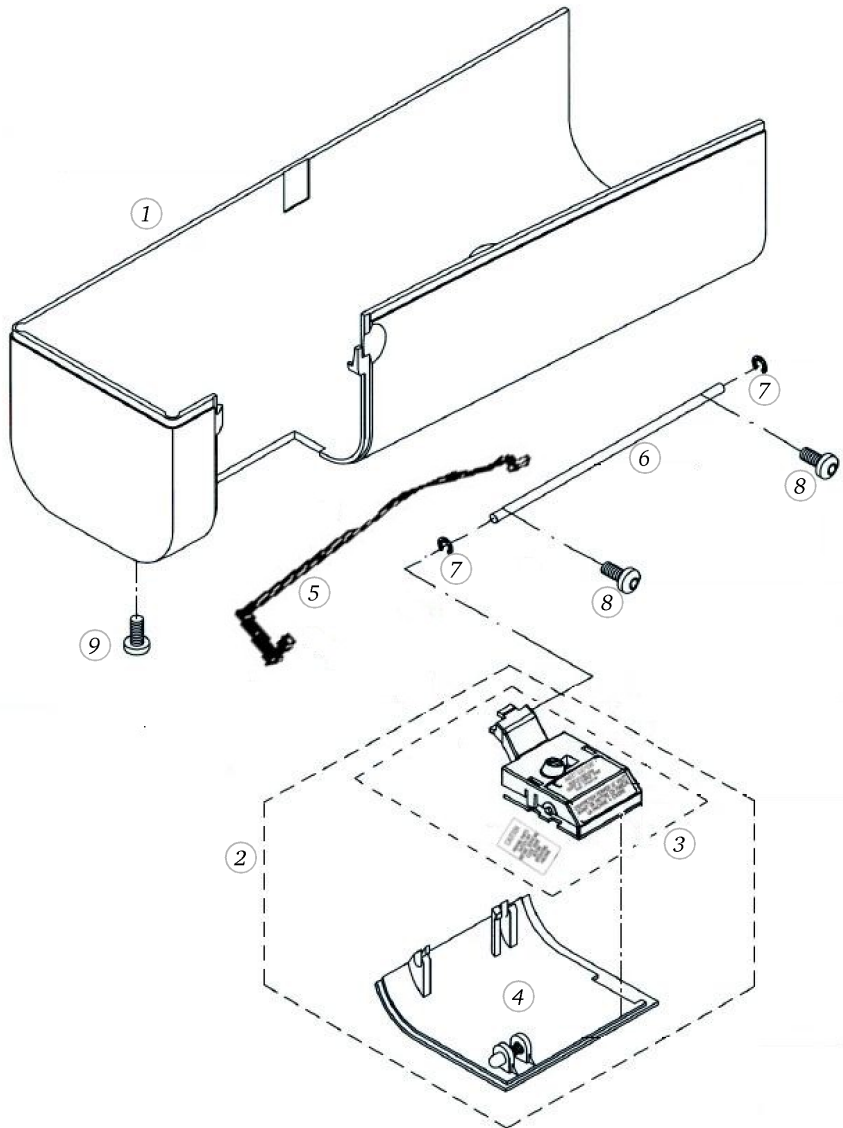


Pos	Item number	Description
1	0078767100	BASE PLATE COVER CPL.
2	0078465000	SELECTION LEVER
3	0321135000	SPRING
4	0088895000	DROP FEED KNOB
5	0078947300	BASEPLATE CPL
6	0023345000	Screw Pan Head Pt 3 x 8 WN1452 - BN20138 Art-No. 3216015
7	23351053++	DENTED WASHER
8	0078865067	SCREW TORX DUOTAPTITE
9	0003445000	RUBBER FOOT
10	0003597000	RUBBER FEET CPL.
11	0079165000	COVER
12	0087677204	MICRO SWITCH WITH CABEL CPL.
13	0023345020	TORX SCREW



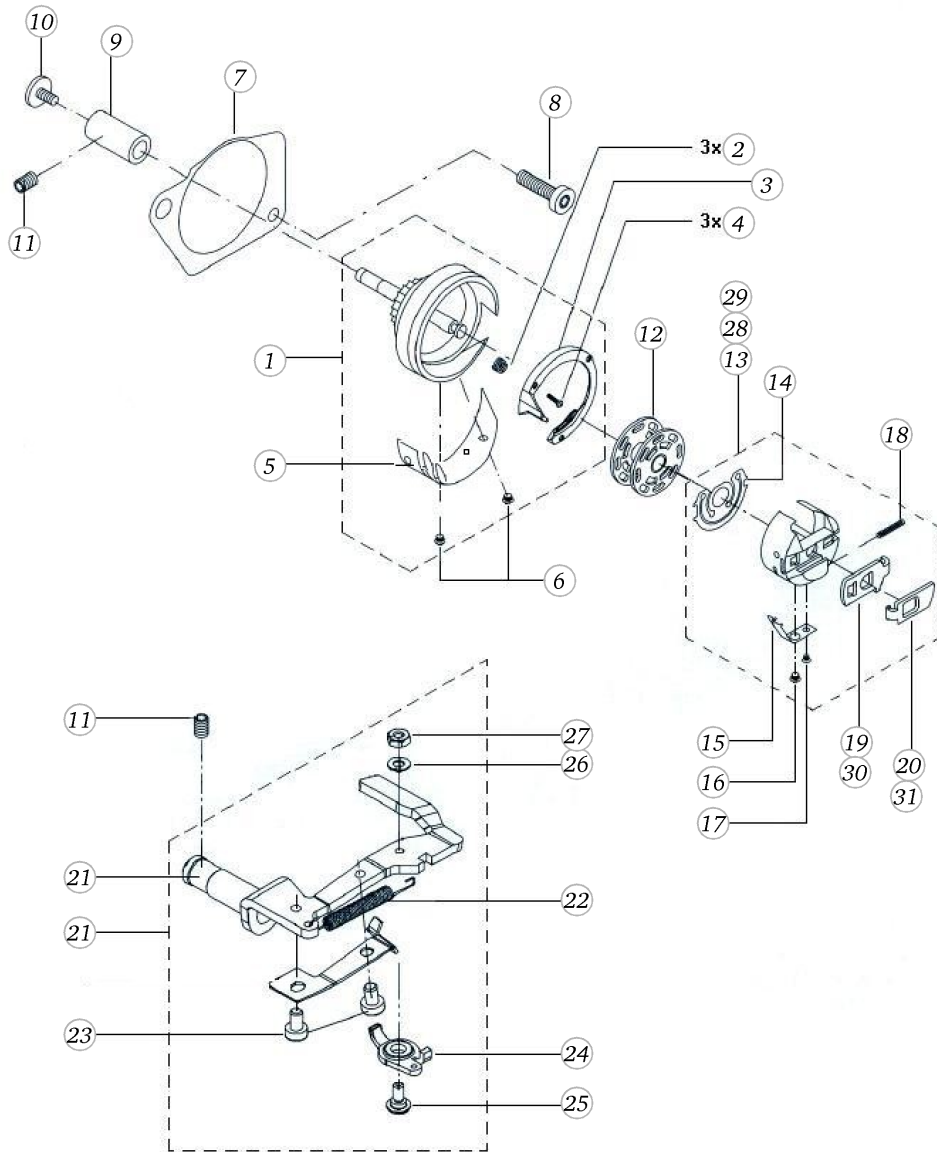
Pos	Item number	Description
1	0077595100	DISENGAGING LEVER
2	24112743++	CYLINDRICAL PIN
3	0078885043	Button Head Screw Torx Dt M4x10
4	0078207000	KNEELIFTER DEVICE
5	0082255003	CYLINDRICAL PIN Ø5-h8x16
6	0078905000	SPRING
7	0078535000	BOWDEN CONTROL CABLE
8	22956813++	Flat Washer M5 ISO 7089 - BN715 Art-No. 1729268
9	0087895100	SPRING
10	0087885000	SPRING
11	23501453++	Circlips For Shafts d1 4 DIN6799 - BN809 Art-No.1284657

Pos	Item number	Description
1	0089575000	FREE ARM COVER
2	0078787402	FREEARM COVER DOOR CPL
3	0331947000	LOWER THREAD MONITOR.SET CPL.
4	0078787300	FREE ARM COVER DOOR
5	0006597036	CABLE CPL
6	0078795100	AXLE
7	23500853++	Circlips For Shafts d1 2.3 DIN6799 - BN809 Art-No.1284630
8	0078885043	Button Head Screw Torx Dt M4x10
9	0078865043	Socket Pan Head Thread Forming Screws M4x10 DIN7500 - BN13916 Art-No. 2027593



BERNINA artista 200

Rotary hook with bobbin case

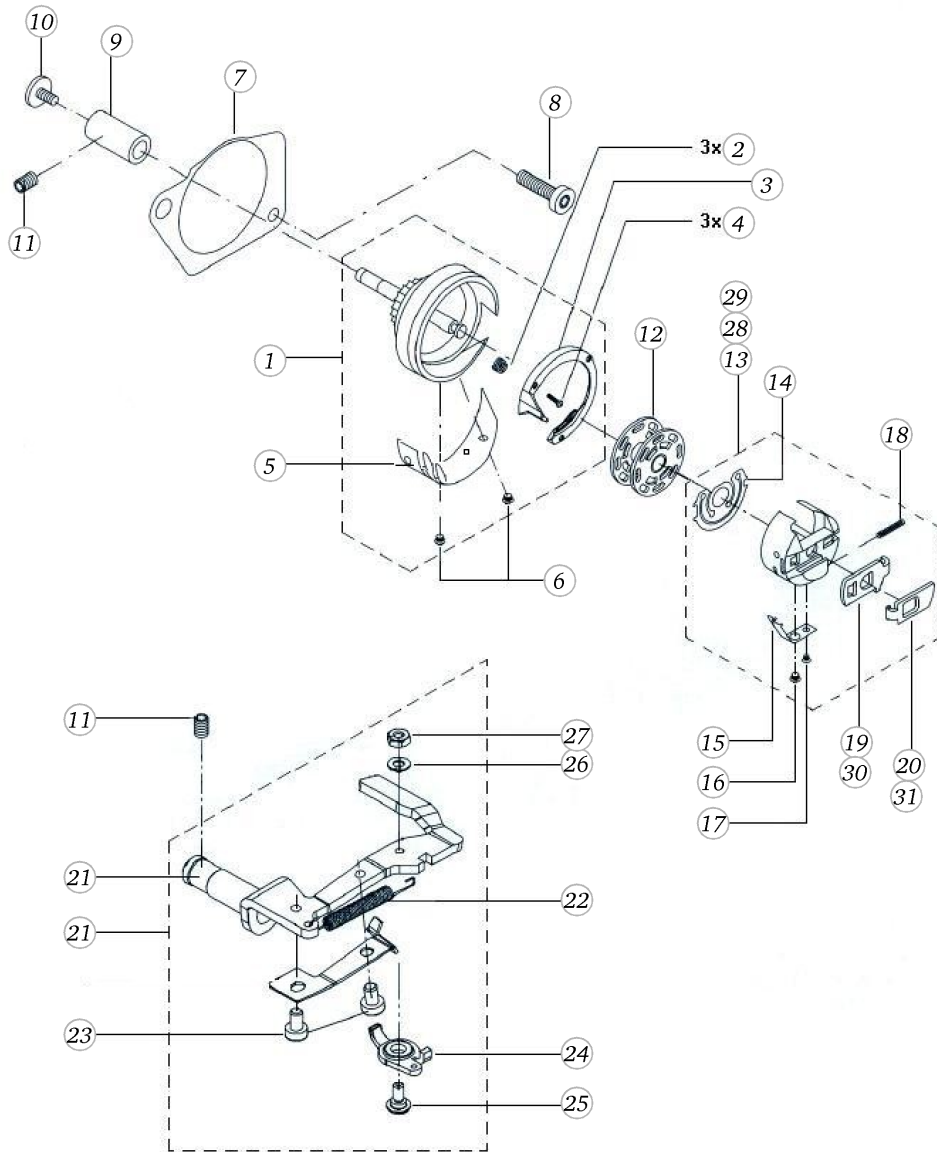


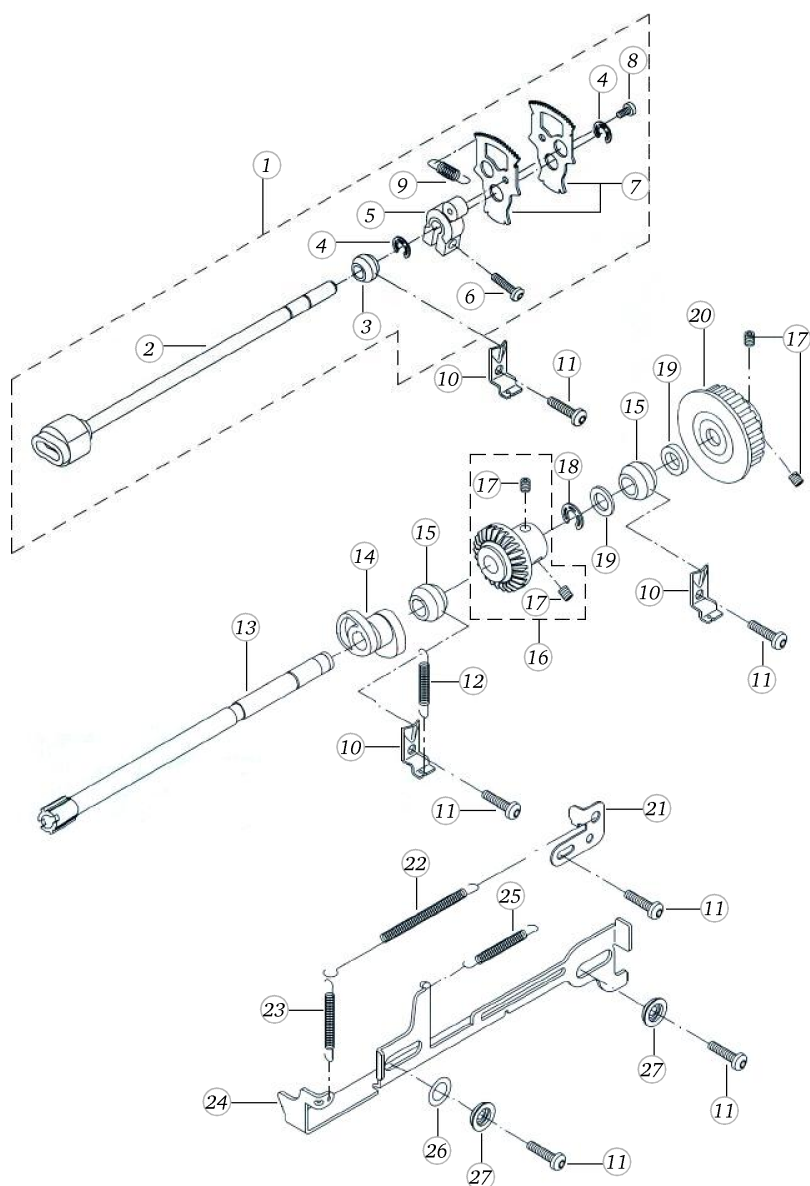
Pos	Item number	Description
1	0060767701	ROTARY HOOK CPL.9MM
2	0023865100	SPRING
3	0307335000	THREAD DEFLECTOR
4	0069105000	SCREW
5	0306845200	THREAD PROTECTION
6	0023845211	SCREW
7	0078725100	COVER SHEET
8	0078865043	Socket Pan Head Thread Forming Screws M4x10 DIN7500 - BN13916 Art-No. 2027593
9	0022905100	BUSH
10	0017205300	thru head screw
11	0078665043	Hexalobular Socket Set Screws M4x6 ISO 4026 - BN11493 Art-No. 3060208
12	0060265300	BOBBIN METAL
13	0060687810	BOBBIN CASE CPL.
14	0060695310	STOP SPRING C
15	0063105210	SPRING C
16	0063115000	SCREW
17	0063125000	SCREW
18	0310065000	SPRING
19	0031575000	BOBBIN CASE LATCH PT2
20	0031585000	BOBBIN CASE LATCH PT2
21	0029047601	BOBBINCASE STOP CPL.
21	0029047701	BOBBINCASE STOP CPL.
22	0023935000	SPRING
23	0077525020	SCREW TORX M2.5X4
24	0023945100	SUPPORT
25	0023955200	cylindrical screw
26	23225553++	Curved Spring Washer 2,2/4,5/0,3
27	22500223++	NUT
28	0060687201	BOBBIN CASE CPL.
29	0305687400	EMBROIDERY BOBBIN CASE
30	0031575110	BOBBIN CASE LATCH

BERNINA artista 200

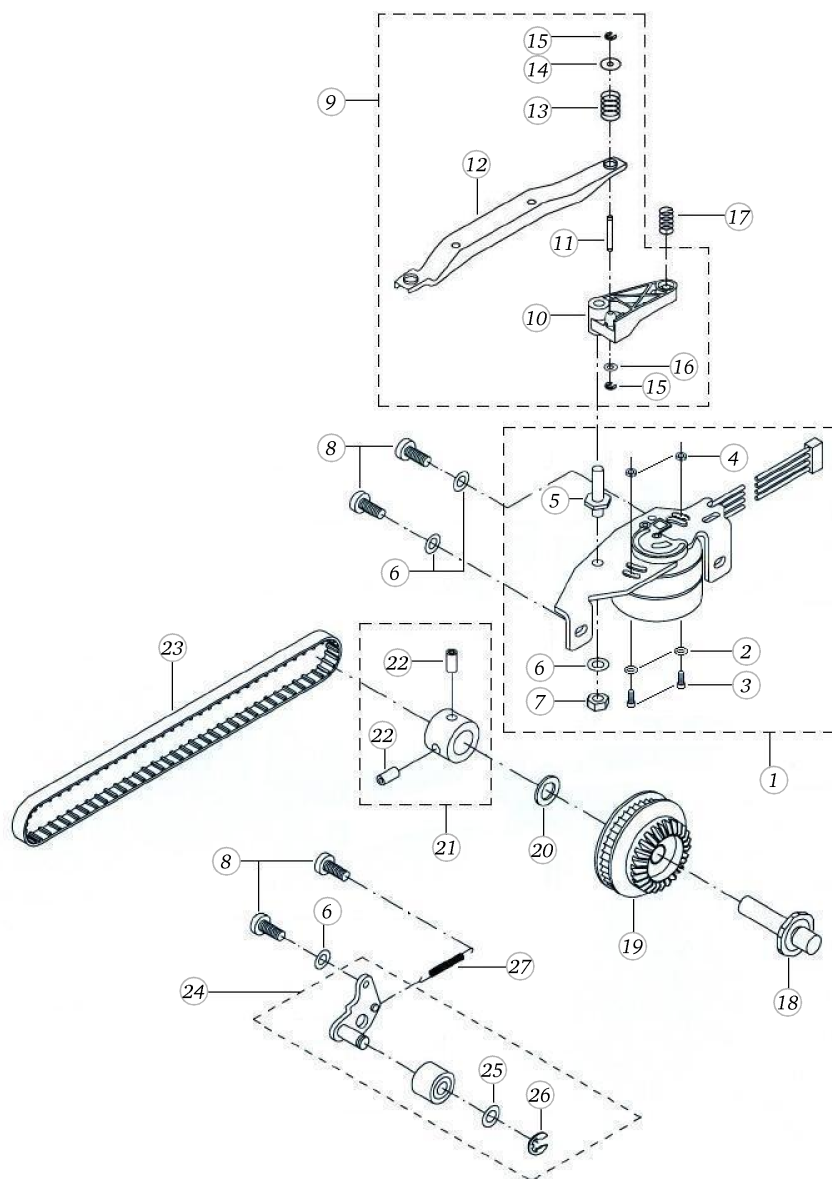
Rotary hook with bobbin case

Pos	Item number	Description
31	0031585110	BOBBIN CASE LATCH



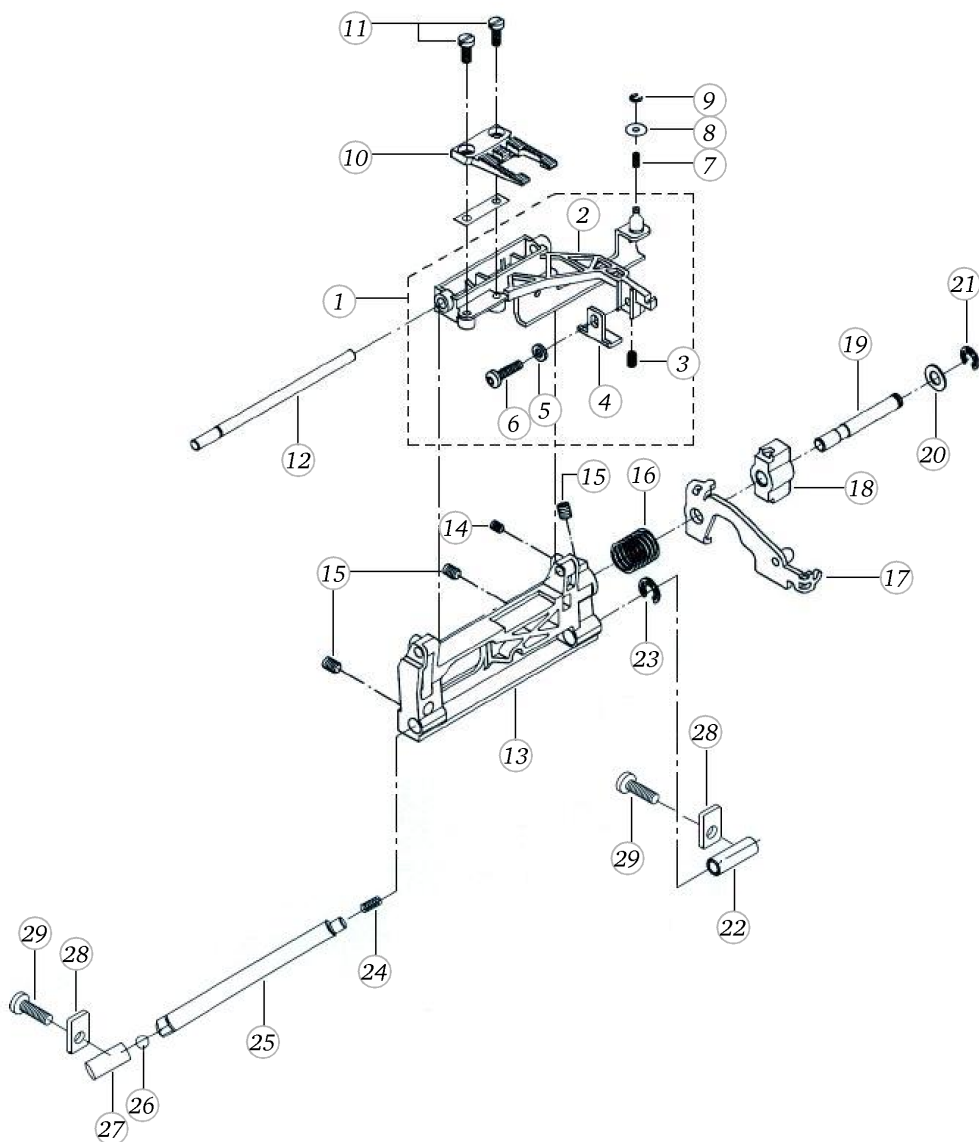


Pos	Item number	Description
1	0078367201	CRANKSHAFT CPL.
2	0078365000	CRANK SHAFT
3	0078235001	Bearing
4	23501753++	Circlip For Shafts d1 5 DIN6799 - BN809 Art-No.1284665
5	0078035100	STITCH LENGTH CLAMP V180
6	0078865044	Socket Pan Head Thread Forming Screws M4x12 DIN7500 - BN13916 Art-No. 2027607
7	0078015000	TOOTHED SEGMENT
8	0078865033	Socket Pan Head Thread Forming Screws M3x6 DIN7500 - BN13916 Art-No. 2027534
9	0078445000	Tension Spring De=5,0 L0=15,5 d=0,5
9	0343315000	Tension Spring De=6 L0=18,5 d=0,85
10	0078715200	FIXATION PIECE
11	0078865043	Socket Pan Head Thread Forming Screws M4x10 DIN7500 - BN13916 Art-No. 2027593
12	0079187100	Spring Cpl
13	0304587000	BASE SHAFT ASSEM
14	0304595000	CAM
15	0078235000	Bearing
16	0022947400	BEVEL GEAR CPL
17	0078685072	Hexalobular Socket Set Screws M5x0,5x5
18	23502053++	Circlip For Shafts d1 6 DIN6799 - BN809 Art-No.1284673
19	0078875000	DISTANCE RING
20	0019947300	TOOTHED BELT D. WHEEL
21	0078405000	SPRING LOCATION PIECE
22	0078435000	SPRING
23	25603003++	TENSION SPRING
24	0304625000	LINK
25	25604203++	TENSION SPRING
26	0030735100	o-ring seal D10.82/d1.78 70ShoreA EPDM schwefelvernetzt D
27	0032185100	GUIDE BELT



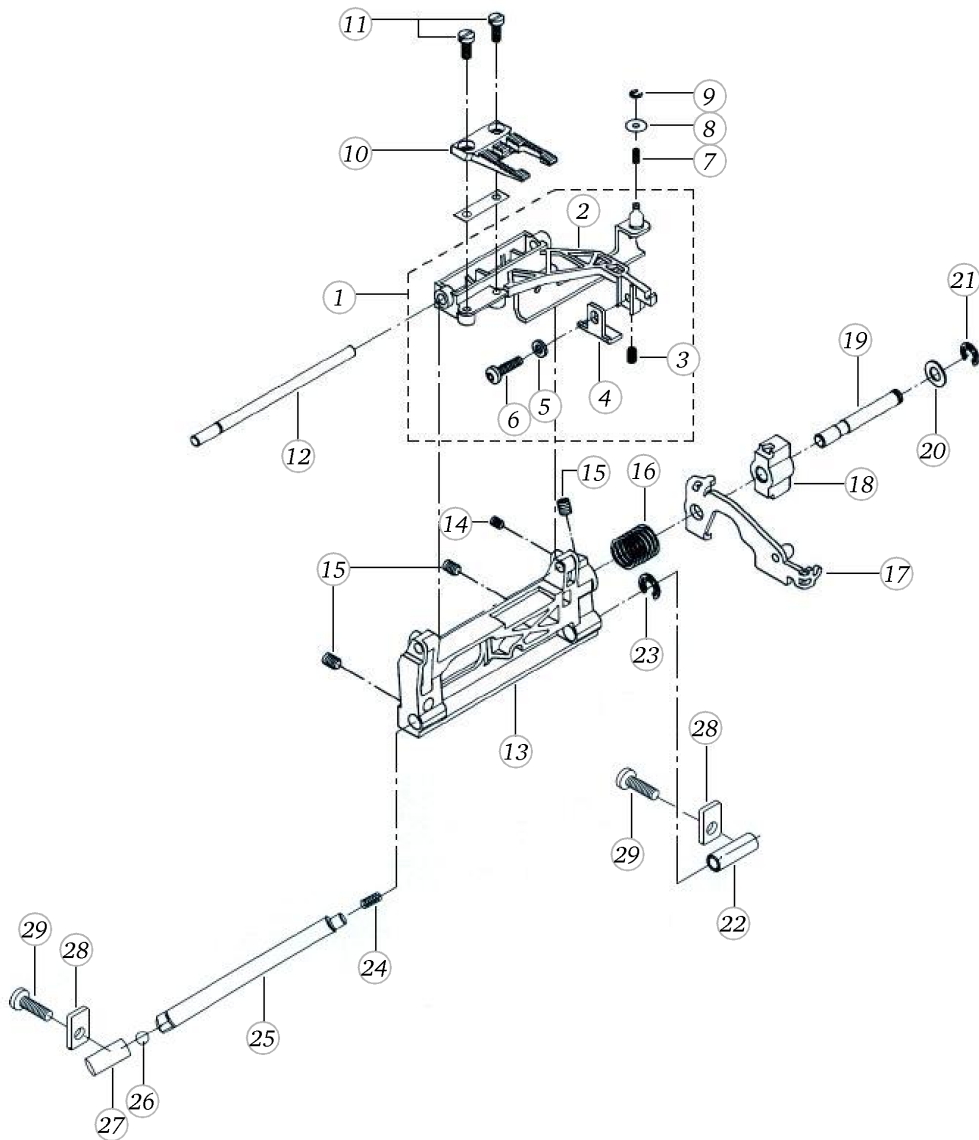
Pos	Item number	Description
1	0084387000	BRACKET PREM.
2	22951413++	Washer d3.2 x D6 x s0.5
3	0078865033	Socket Pan Head Thread Forming Screws M3x6 DIN7500 - BN13916 Art-No. 2027534
4	22502313++	HEXAGONAL NUT
5	0060165000	BEARING PIN
6	22954683++	Flat Washer M4 DIN 433 - BN726 Art-No. 1269577
7	22503713++	HEXAGONAL NUT
8	0078865043	Socket Pan Head Thread Forming Screws M4x10 DIN7500 - BN13916 Art-No. 2027593
9	0060377000	LEVER CPL. 1630
10	0060187000	LEVER PREASSEMBLY
11	24175113++	CYLINDRICAL PIN
12	0060235000	LATERAL MOVEMENT SHAFT
13	25570403++	PRESSURE SPRING
14	22950213++	Washer d2.2xD7.5xs0.5
15	23500553++	Circlips For Shafts d1 1.5 DIN6799 - BN809 Art- No.1284614
16	22900313++	WASHER
17	25531403++	PRESSURE SPRING
18	0022925000	BELT PULLEY AXLE
19	0022937000	BEVEL GEAR W. BELT PULLER CP
20	22960443++	Washer d7.2/D12xs0.3
21	0023987100	COLLAR FOR BEVEL GEAR 180
22	0078685072	Hexalobular Socket Set Screws M5x0,5x5
23	0023975100	TOOTH BELT
24	0022837100	BELT TENSION CPL.
25	23100203++	Flat Washer
26	23501453++	Circlips For Shafts d1 4 DIN6799 - BN809 Art- No.1284657
27	25607103++	TENSION SPRING

Feed dog unit



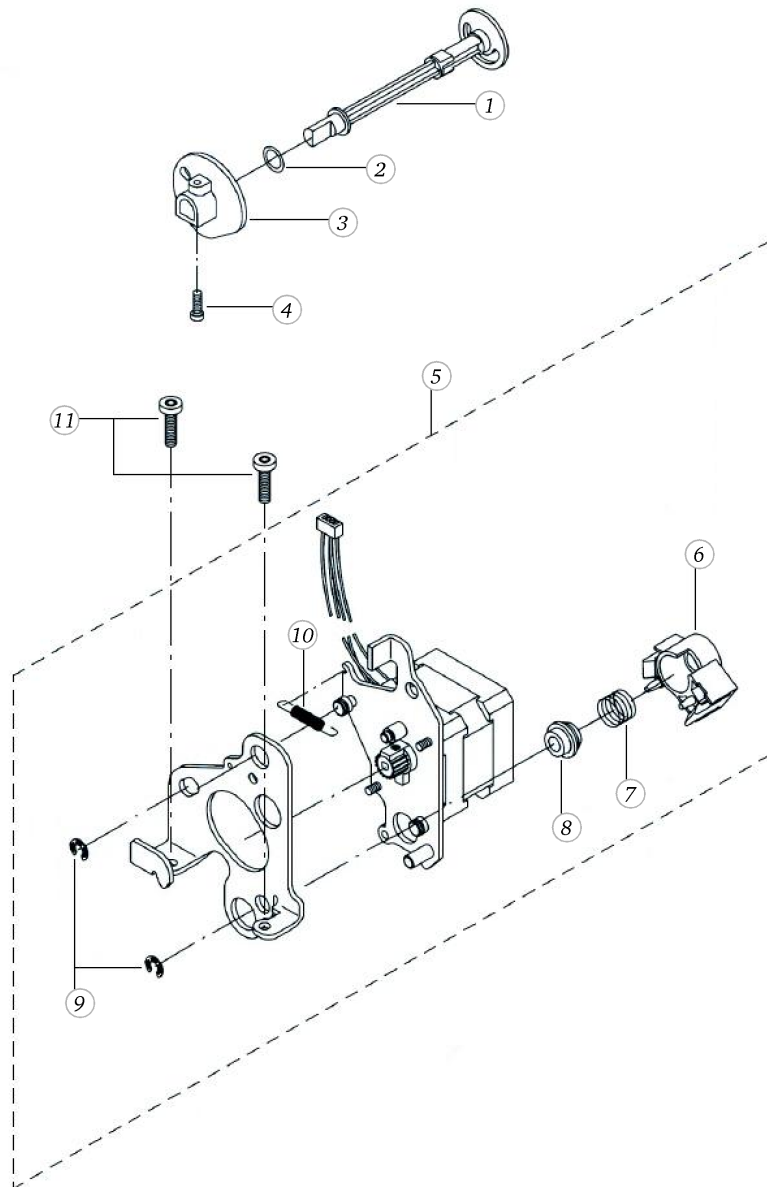
Pos	Item number	Description
1	0307587000	FEEDDOG CARRIER
2	0306247000	FEED DOG CARRIER CPL.
3	25524003++	Spring
4	0000785200	ADJUSTING PLATE
5	22952113++	Washer 3.2/7x1.5 black finished
6	0078865036	socket pan head thread forming screws
7	25570403++	PRESSURE SPRING
8	22950213++	Washer d2.2xD7.5xs0.5
9	23500553++	Circlips For Shafts d1 1.5 DIN6799 - BN809 Art-No.1284614
10	0060355400	FEED DOG
11	0032465110	Socket Button Head Screws M3x 6 ISO 7380-1 - BN6404 Art-No. 1982990
12	0302015000	SLIDING AXLE
13	0000245400	FEED DOG FORK
14	0078665031	Hexalobular Socket Set Screws M3x4 ISO 4026 - BN11493 Art-No. 3060200
15	0078665043	Hexalobular Socket Set Screws M4x6 ISO 4026 - BN11493 Art-No. 3060208
16	0079055000	SPRING
17	0078047200	THRUST REVERSER CPL.
18	0078065100	BEARING
19	0078075000	BOLT
20	23100203++	Flat Washer
21	23501453++	Circlips For Shafts d1 4 DIN6799 - BN809 Art-No.1284657
22	0303835200	BEARING
23	23501753++	Circlip For Shafts d1 5 DIN6799 - BN809 Art-No.1284665
24	0303895100	SPRING
25	0049695100	ECCENTRIC SHAFT
26	0011695002	Steel Ball G40 D4 DIN5401 - BN869 Art-No. 1316281
27	0078695100	BEARING
28	0010475100	PRESSURE PLATE

Pos	Item number	Description
29	0078865043	Socket Pan Head Thread Forming Screws M4x10 DIN7500 - BN13916 Art-No. 2027593

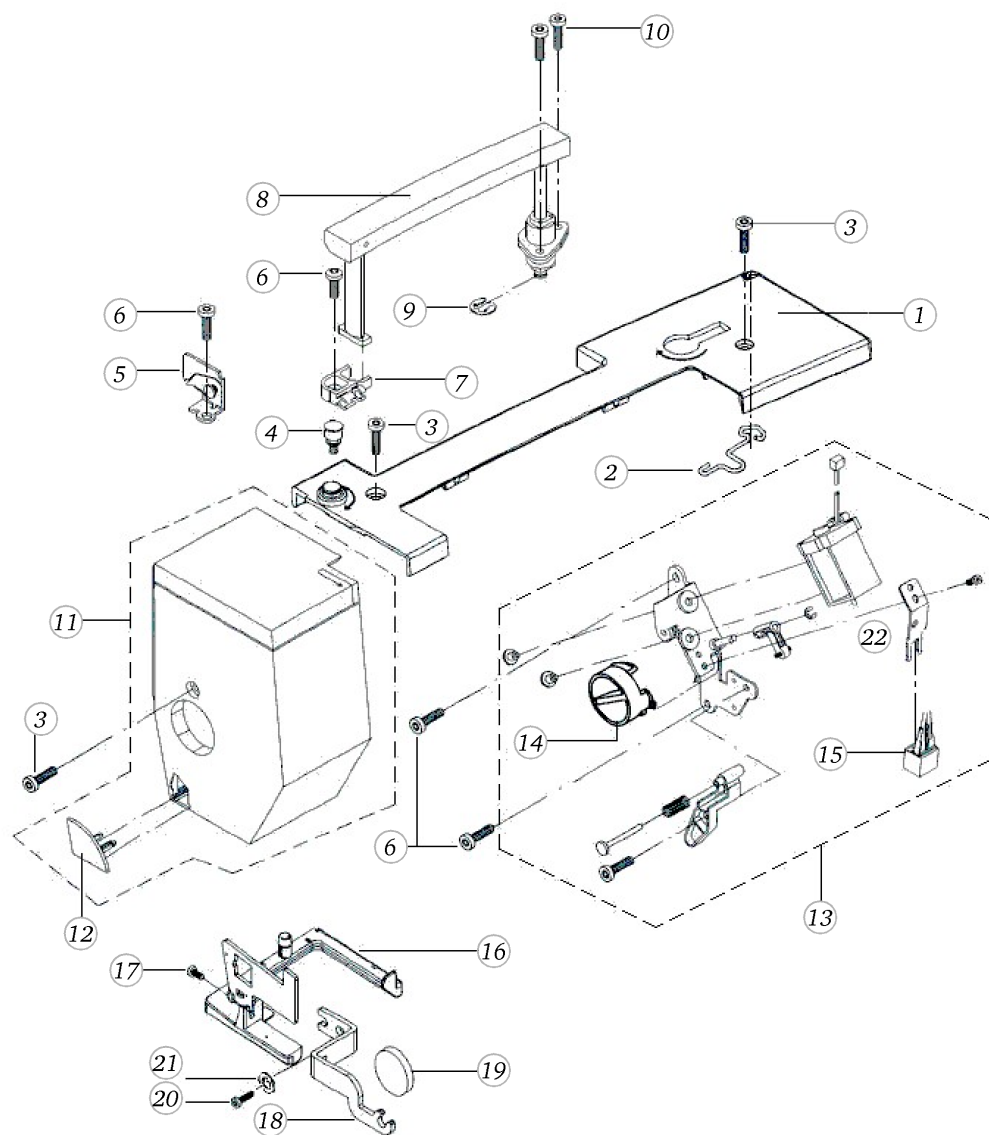


BERNINA artista 200

Stitch length motor

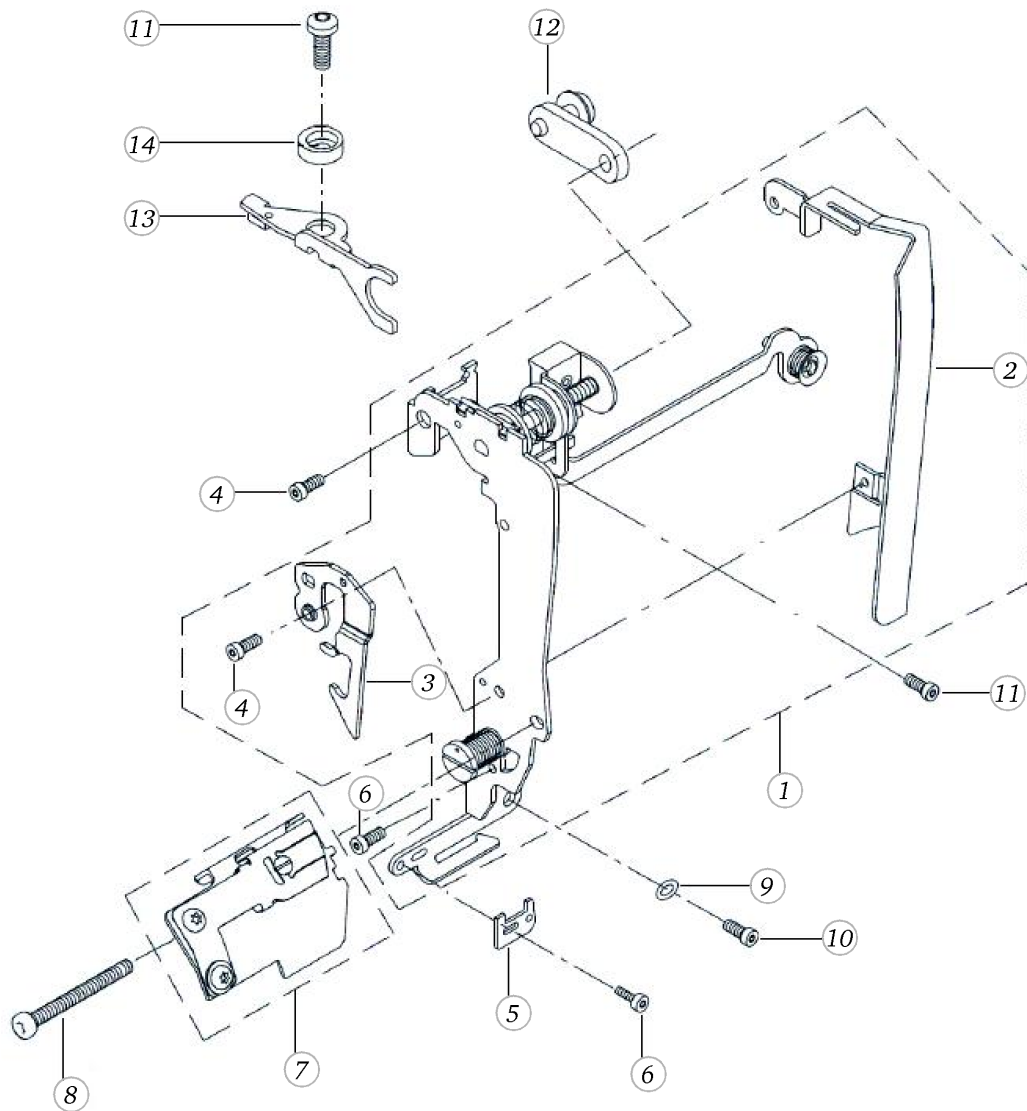


Pos	Item number	Description
1	0078605200	ROTATIONAL CONNECTOR
2	0089595010	SPRING WASHER
3	0306755000	ADJUSTING CAM
4	0078865036	socket pan head thread forming screws
5	0078257101	STITCHLENGTH-DRIVE CPL.
6	0078555000	COVER PLATE
7	0078565000	SPRING
8	0078545000	Bearing
9	23501453++	Circlips For Shafts d1 4 DIN6799 - BN809 Art-No.1284657
10	25629203++	Spring
11	0078865043	Socket Pan Head Thread Forming Screws M4x10 DIN7500 - BN13916 Art-No. 2027593



Pos	Item number	Description
1	0308237100	UPPER ARM COVER CPL.
2	0308155000	EYE HOOK
3	0078865091	SCREW TORX DUOTAPTITE
4	0048497200	BOBBIN WINDER THREAD TENSION CPL.
5	0048487100	THREAD GUIDE ASSEMBLY
6	0078865043	Socket Pan Head Thread Forming Screws M4x10 DIN7500 - BN13916 Art-No. 2027593
7	0082315100	HANDLE BUSH
8	0082337100	HANDLE CPL.
9	23501453++	Circlips For Shafts d1 4 DIN6799 - BN809 Art- No.1284657
10	0078865044	Socket Pan Head Thread Forming Screws M4x12 DIN7500 - BN13916 Art-No. 2027607
11	0048227012	HEADCOVER CPL. A200
12	0079737100	THREAD CUTTER CPL.
13	0075757004	PRESSER DEVICE CPL.
14	0075775000	KNOB
15	0075387103	BULB SOCKET CPL.200/730
16	0049927400	LED sewing light packed
17	0078865033	Socket Pan Head Thread Forming Screws M3x6 DIN7500 - BN13916 Art-No. 2027534
18	0338537000	LENS SUPPORT CLASSIC PACKED
19	0079795200	Cap
20	0078865044	Socket Pan Head Thread Forming Screws M4x12 DIN7500 - BN13916 Art-No. 2027607
21	22901613++	WASHER 4.3MM
22	0075995000	LAMP HOLDER

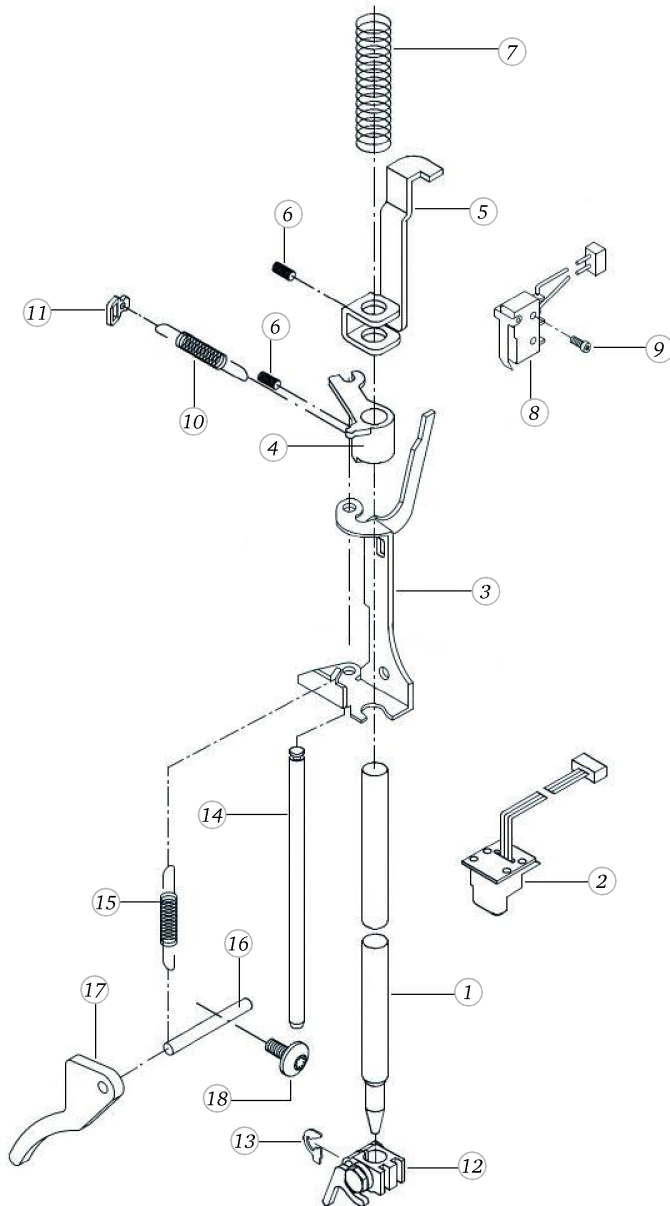
BERNINA artista 200



Thread tension

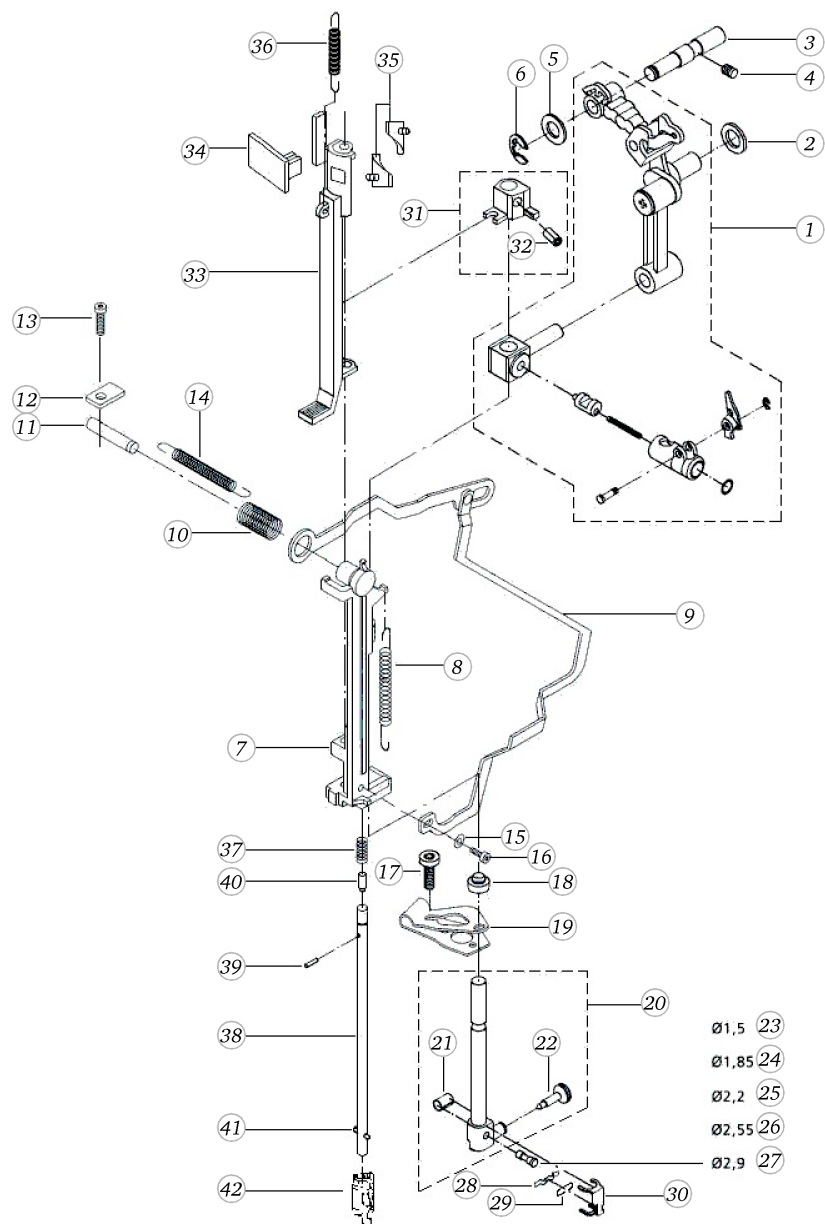
Pos	Item number	Description
1	0087507903	TAKE UP LEVER COVE AUTO CPL
2	0079505301	TAKE-UP-LEVER COVER
3	0308095300	TAKE-UP SPRING COVER
4	0032465109	SCREW M3x3
5	0082855002	Z-Z LIMITING 8,8MM
6	0078865033	Socket Pan Head Thread Forming Screws M3x6 DIN7500 - BN13916 Art-No. 2027534
7	0319497001	SPARE-SET THREAD-CLAMP C
8	0077525038	TORX SCREW M3 X 30
9	22954683++	Flat Washer M4 DIN 433 - BN726 Art-No. 1269577
10	0078865045	Socket Pan Head Thread Forming Screws M4x16 DIN7500 - BN13916 Art-No. 2027615
11	0078865043	Socket Pan Head Thread Forming Screws M4x10 DIN7500 - BN13916 Art-No. 2027593
12	0306877000	SUPPORT CPL.
13	0089205100	RELEASE LEVER
14	0077675100	Eccentric

Presser foot bar



Pos	Item number	Description
1	0087335000	PRESSER FOOT BAR 157.5
2	0088357201	PRINT BUTTONHOLESSENSOR CPL.
3	0089195000	RELEASE LEVER
4	0075647000	PRESS.FOOT GUIDE FOOT
5	0075675000	DARNING LEVER
6	0078665043	Hexalobular Socket Set Screws M4x6 ISO 4026 - BN11493 Art-No. 3060208
7	0075795100	SPRING
8	0087677203	MICRO SWITCH CPL.
9	0078865015	Socket Pan Head Thread Forming Screws M2x10 DIN7500 - BN13916 Art-No. 3271298
10	0075875000	SPRING
11	0075765000	TAB
12	0011177000	CLAMPING PIECE CPL
13	0089325000	SAFETY CLIP
14	0075985200	GUIDE SHAFT
15	0087295100	SPRING
16	24119043++	CYL.-PIN
17	0075685300	LIFTING LEVER
18	0078885043	Button Head Screw Torx Dt M4x10

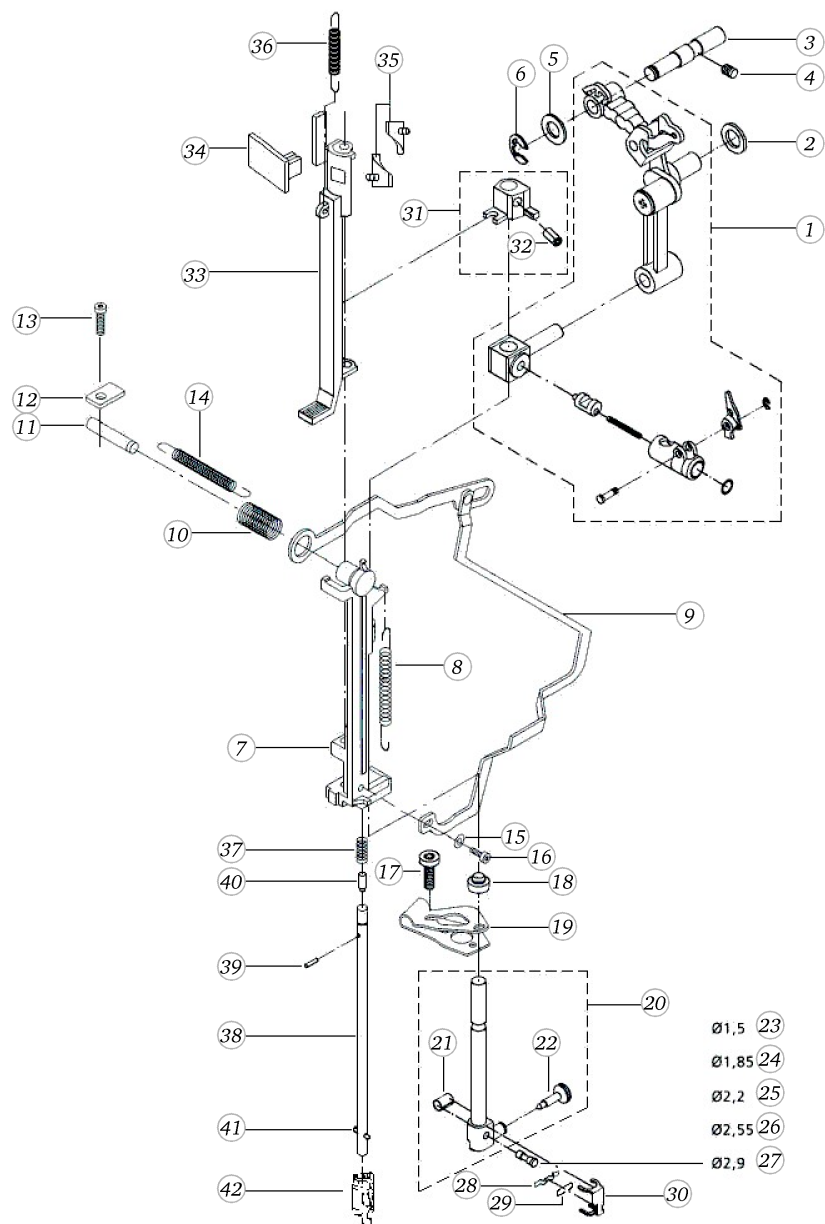
BERNINA artista 200



Needlesystem

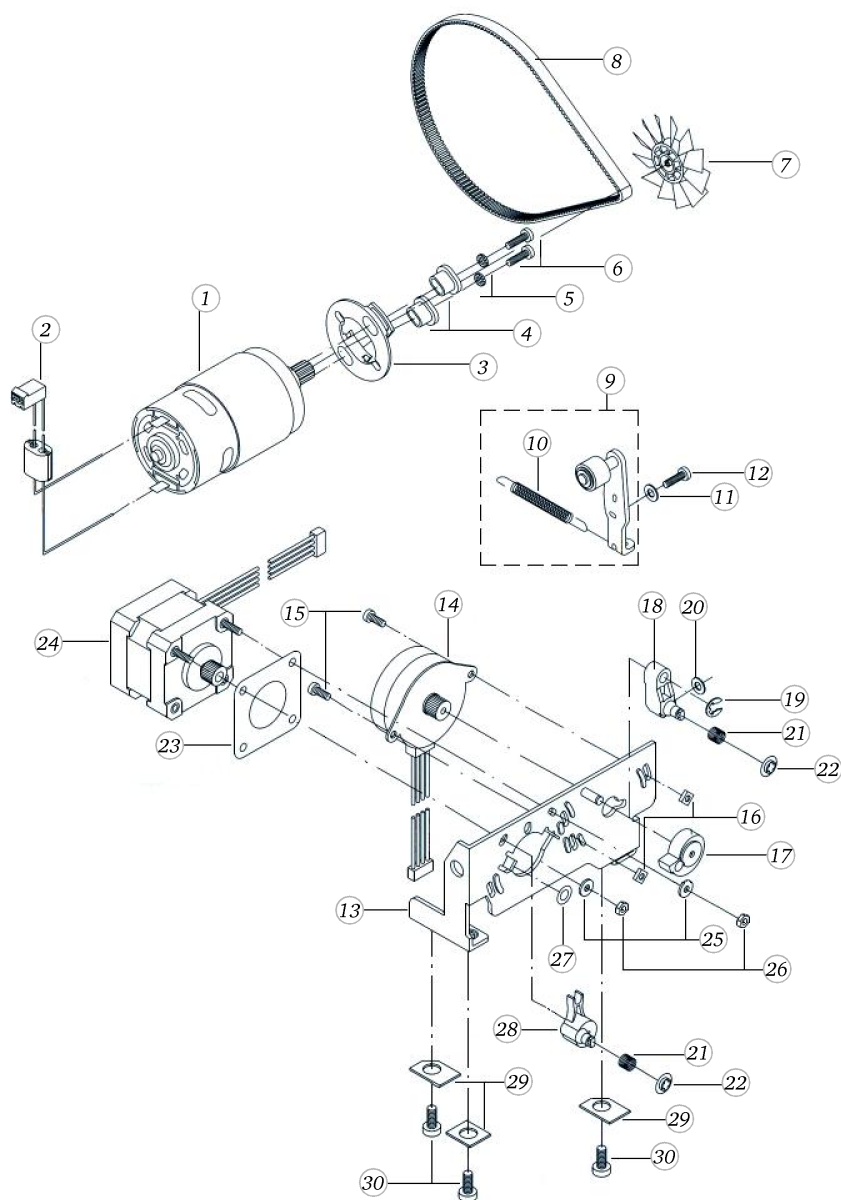
Pos	Item number	Description
1	0088827200	TAKE-UP LEVER SET
2	22961743++	WASHER
3	0082265000	CYLINDRICAL PIN
4	0078665043	Hexalobular Socket Set Screws M4x6 ISO 4026 - BN11493 Art-No. 3060208
5	23001213++	Flat Washer d6.2xD10xs1
6	23501753++	Circlip For Shafts d1 5 DIN6799 - BN809 Art-No.1284665
7	0320797000	NEEDLE BAR SUPPORT SET
8	0028525100	Spring
9	0087967100	LEVER CPL.
10	0087225000	SPRING
11	0087145200	PIVOT
12	0010475100	PRESSURE PLATE
13	0078865044	Socket Pan Head Thread Forming Screws M4x12 DIN7500 - BN13916 Art-No. 2027607
14	0304925200	SPRING
15	22952023++	WASHER
16	0078865035	Socket Pan Head Thread Forming Screws M3x10 DIN7500 - BN13916 Art-No. 2027550
17	0078865043	Socket Pan Head Thread Forming Screws M4x10 DIN7500 - BN13916 Art-No. 2027593
18	0075715000	BUFFER
19	0075697000	BUFFER SPRING CPL.
20	0082087203	NEEDLE BAR CPL. RL
21	0012965200	Spring Husk
22	0082435200	NEEDLECLAMP-SCREW
22	0082435400	Needle Clamp Screw
22	0082435300	Needle Clamp Screw
22	0082435400	Needle Clamp Screw
23	0082115000	PIN Ø1.5
24	0082115001	PIN Ø1.85
25	0082115002	PIN Ø2.20
26	0082115003	PIN Ø2.55

BERNINA artista 200



Needlesystem

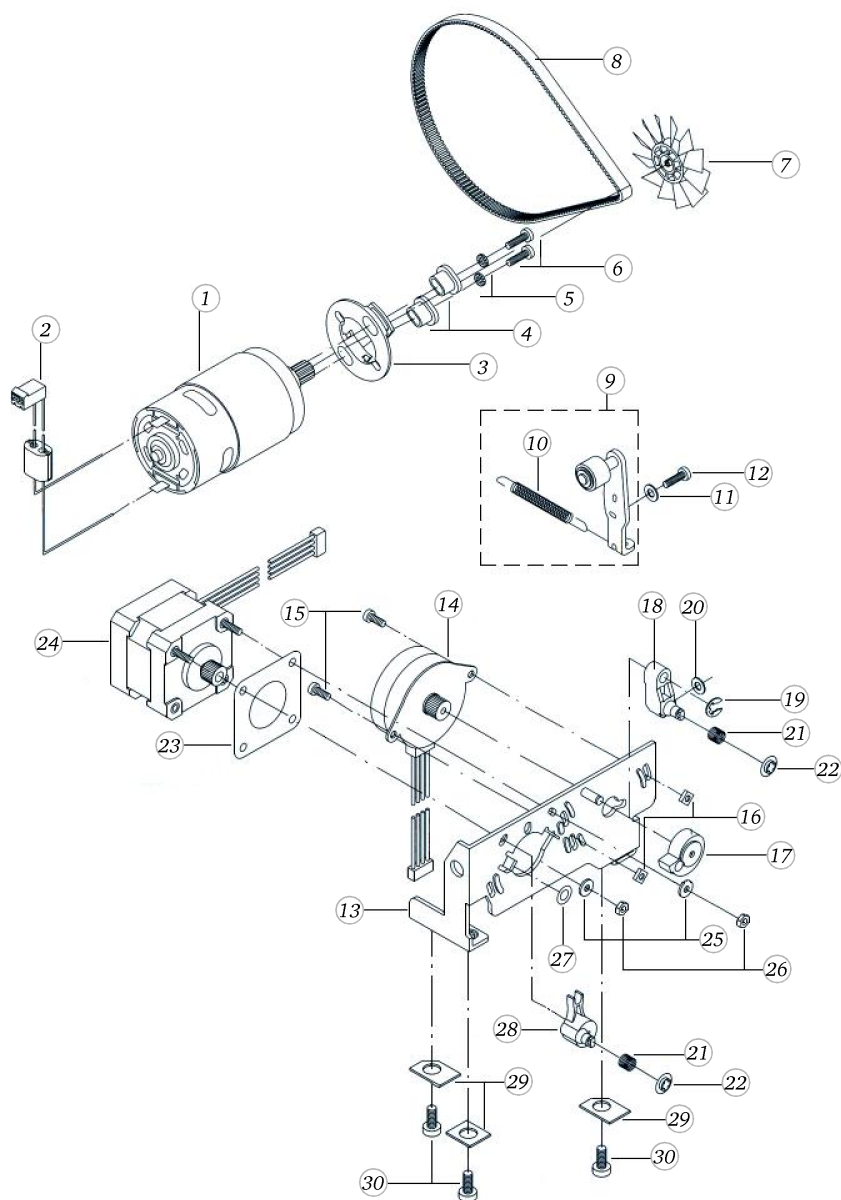
Pos	Item number	Description
27	0082115004	PIN Ø2.90
28	0082135100	FLAT SPRING
29	0082145000	GUIDE
30	0082125000	CLAMP
31	0075637300	Guide Assembled
32	0078665041	Hexalobular Socket Set Screws M4x4 ISO 4026 - BN11493 Art-No. 3060207
33	0306445100	Thread-up Support
34	0306517000	THREADER-PRINT CPL.
35	0306495000	Curve Inset
36	0075315200	Spring
37	0075965000	Spring -
38	0075747200	Threader Device Cpl.
39	24105643++	Parallel Pin Hardened 2h6x12 BN 858
40	20150113++	Hexagon Socket Set Screw M3x8
41	0075955015	PIN
42	0337927100	threader head packed



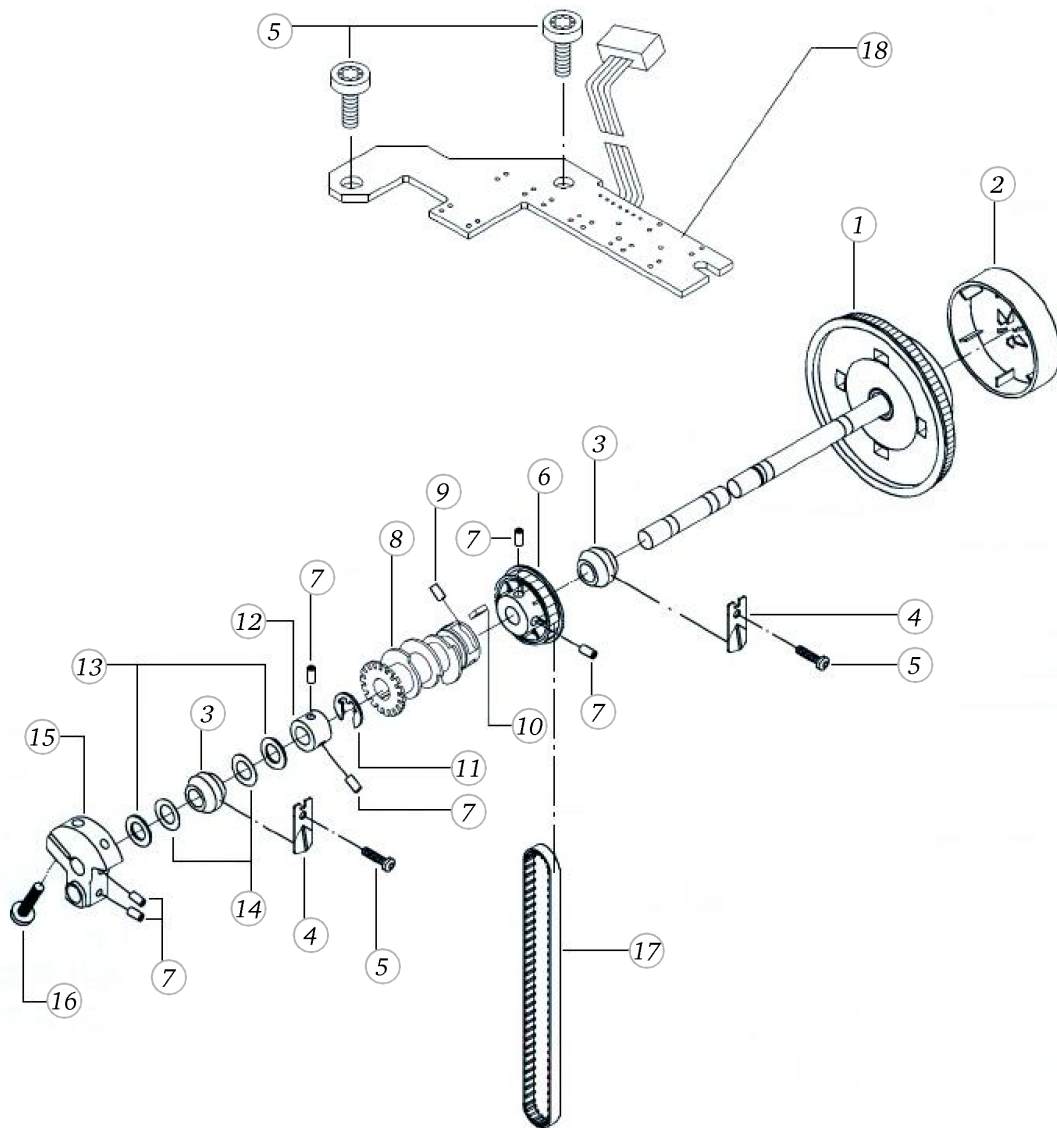
Pos	Item number	Description
1	0078847202	MOTOR CPL.
2	0038537000	MOTOR CABEL CPL
3	0078985100	Cuff
3	0078985200	Cuff
4	0078995100	bushing
4	0078995200	Bushing
5	23350653++	Curved Spring Washe d4.3xD8xs0.5
6	0078865045	Socket Pan Head Thread Forming Screws M4x16 DIN7500 - BN13916 Art-No. 2027615
7	0304355200	MOTOR FAN
8	0079035006	BELT
9	0078657300	BELT TENSION
10	25602503++	TENSION SPRING
11	22954313++	Washer d4.2xD14xs1.5
12	0078865044	Socket Pan Head Thread Forming Screws M4x12 DIN7500 - BN13916 Art-No. 2027607
13	0087617000	STEP MOTOR BRACKET
14	0078355104	STEP MOTOR
15	0077525032	Head Cap Screw Torx M3x8 ISO 14580 - BN4850 Art- No. 1145932
16	22683623++	4 SIDED NUT
17	0087605200	SPIRAL CURVE
18	0087595000	CONTROL LEVER
19	23501453++	Circlips For Shafts d1 4 DIN6799 - BN809 Art- No.1284657
20	0300155000	WASHER
21	25570303++	PRESSURE SPRING
22	0007275000	LOCK WASHER 10X5.5X1.5
23	0087745000	DAMPING FOIL
24	0003215104	STEP MOTOR SW
25	22950613++	Washer d3.1xD8xs1
26	22502313++	HEXAGONAL NUT
27	0030735005	O-ring Seal D3/d1.5 70±5 IRHD NBR 70,5 / 5 P DIN3771

BERNINA artista 200

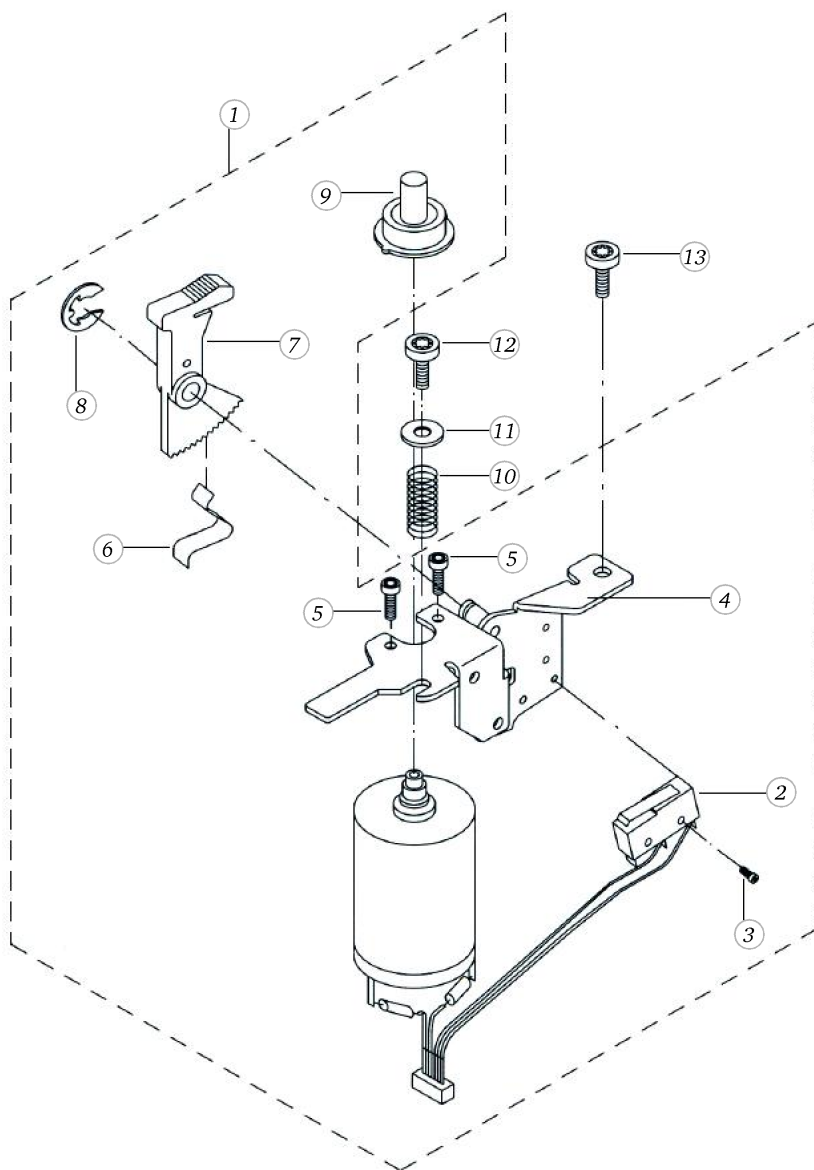
Main motor and stepper



Pos	Item number	Description
28	0082385000	ECCENTER 9 SB
29	0087625000	RUBBER CUSHION SET
30	0078865042	Socket Pan Head Thread Forming Screws M4x8 DIN7500 - BN13916 Art-No. 2027585



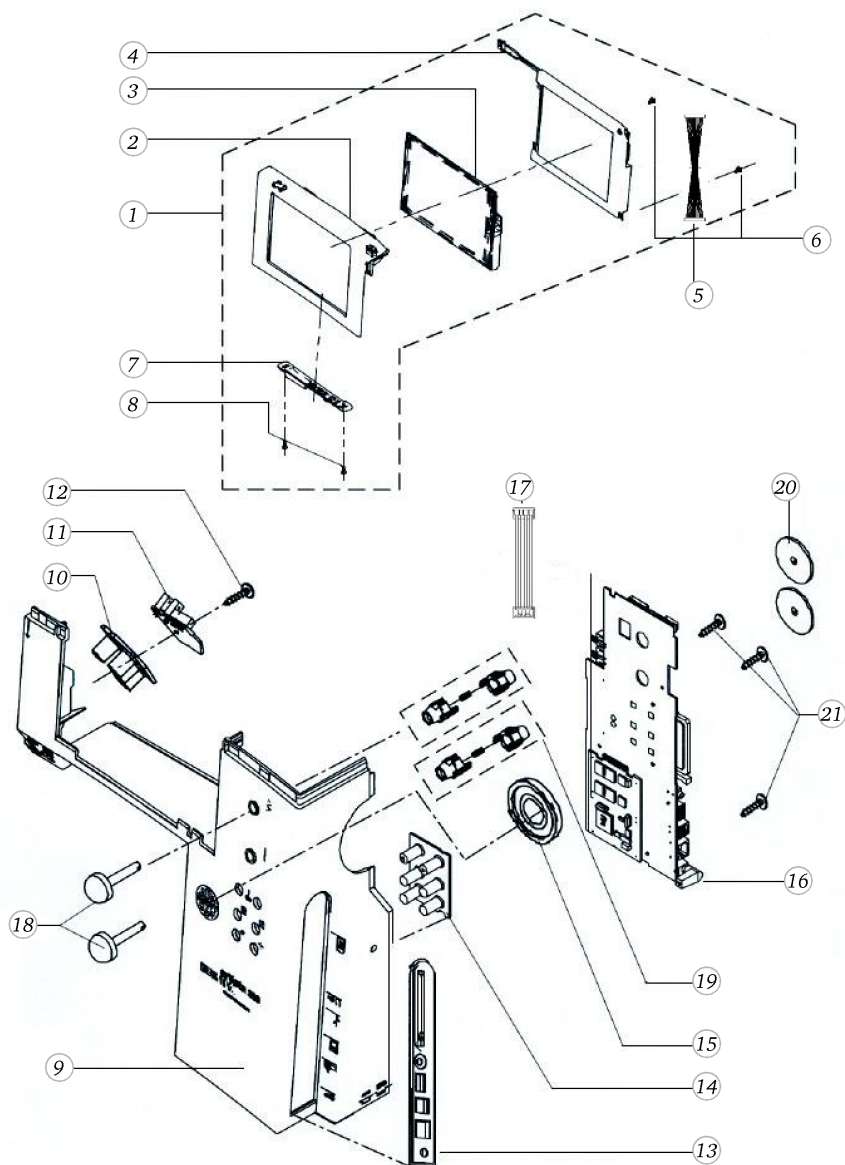
Pos	Item number	Description
1	0077797100	MAIN SHAFT CPL.
2	0077717000	HAND WHEEL CPL.
3	0078235002	Bearing 10
4	0077785100	CLAMPING CLOW
5	0078865043	Socket Pan Head Thread Forming Screws M4x10 DIN7500 - BN13916 Art-No. 2027593
6	0019947301	BELT DRIVE 24 TEETH
7	0078685072	Hexalobular Socket Set Screws M5x0,5x5
8	0307927000	SYNCHRO DISC CPL
9	0078665043	Hexalobular Socket Set Screws M4x6 ISO 4026 - BN11493 Art-No. 3060208
10	22684183++	Square Thin Nuts M4 DIN 562 - BN145 Art-No. 1092502
11	0079665011	Circlip For Shafts As 9.0, Benzing
12	0077817000	Adjusting Ring Cpl.
13	0078955071	Synthetic Washer 10,3 x 17 x 1
14	303200031+	Washer
15	0077807100	BALANCE PIECE CPL.
16	0077525067	SCREW
17	0079035022	BELT 188 XL
18	0305007200	POSITIONS-SENSOR PRINT



Pos	Item number	Description
1	0311537201	BOBBIN WINDER CPL.
2	0007935400	MICRO SWITCH
3	0078865015	Socket Pan Head Thread Forming Screws M2x10 DIN7500 - BN13916 Art-No. 3271298
4	0311515000	WINDER SUPPORT
5	0077525020	SCREW TORX M2.5X4
6	0077745000	Spring
7	0020077100	BOBBIN WINDER LEVER CPL.
8	23501153++	Circlips For Shafts d1 3.2 DIN6799 - BN809 Art- No.1284649
9	0018437200	Spool Carrier Cpl. white
10	25545003++	Spring
11	22955013++	Flat Washer
12	0078865046	Socket Pan Head Thread Forming Screws M4x20 DIN7500 - BN13916 Art-No. 3070342
13	0078865043	Socket Pan Head Thread Forming Screws M4x10 DIN7500 - BN13916 Art-No. 2027593

BERNINA artista 200

Front cover with LCD and Print

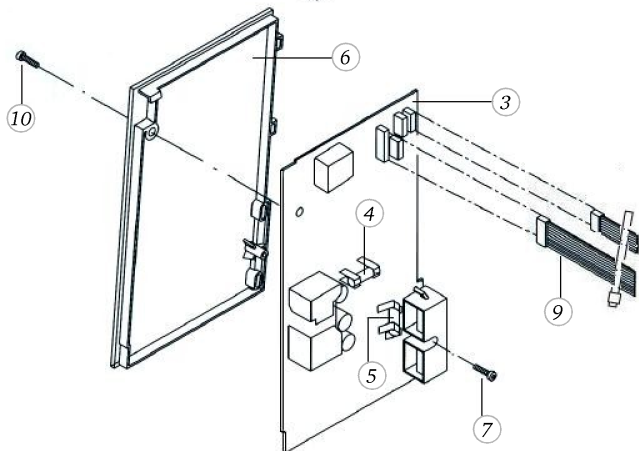
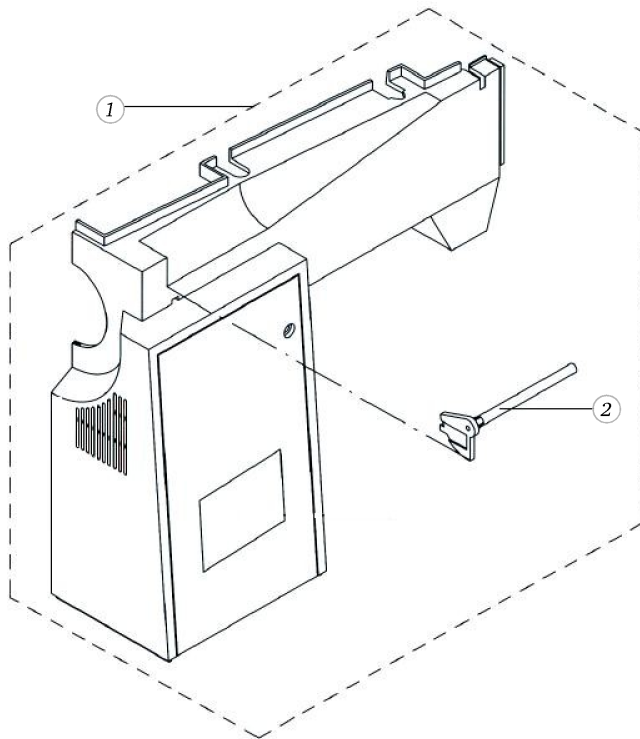


Pos	Item number	Description
1	0304657000	LCD COVER CPL.
2	0304655000	LCD COVER
3	0305085100	TOUCH SCREEN
4	0304665100	LCD CPL.
5	0230355000	CABLE LCD-MAINPRINT
6	0023345032	TORX SCREW
7	0306457100	BACKGROUND-LIGHT PRINT
8	0023345031	PT-SCREW TORX 3X10 WN1452
9	0304955000	FRONT COVER
10	0305405000	RUBBER PAD RET
11	0220907100	PRINT RET CPL.
12	0023345000	Screw Pan Head Pt 3 x 8 WN1452 - BN20138 Art-No. 3216015
13	0305095000	COVER
14	0305395000	RUBBER PAD
15	0306595000	SPEAKER
16	0310487201	MAIN PRINT CPL 64 MB WITH
17	0230345000	CABLE I/O-MAINPRINT
18	0087835010	BUTTON
19	0087847000	GUIDE CPL.
20	0087855000	STOP DISC
21	0089445000	SPECIAL TORX SCREW

BERNINA artista 200

Rear cover

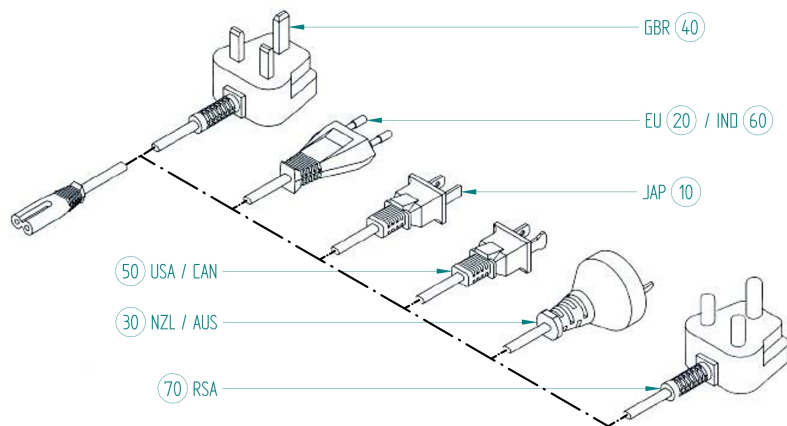
Pos	Item number	Description
1	0087807201	BACK COVER CPL.
2	0307015000	SPOOL SUPPORTER PIN
3	4088327000	L-PRINT CLASSIC UNIVERSAL
4	0303795000	FUSE
5	0303805000	FUSE
6	0325317000	CHASSIS PRINT SPARE PARTS
7	0023345001	TORX SCREW
9	0316267000	DOUBLE CABLE
10	0078865049	SCREW TORX DUOTAPTITE

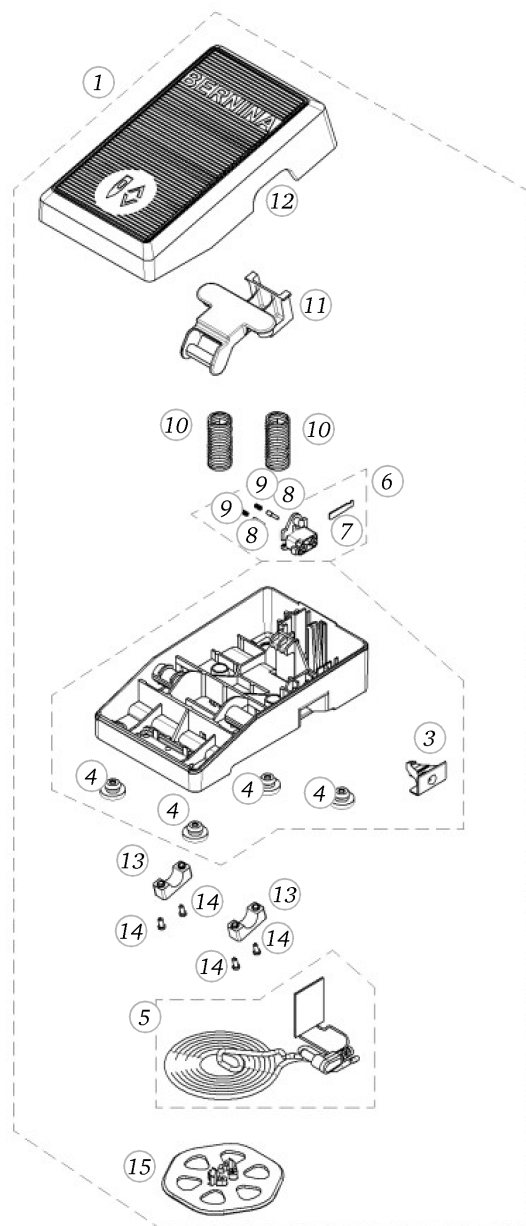


BERNINA artista 200

Power Plug

Pos	Item number	Description
10	0079287004	Power Cord Cpl. Japan
20	0079287303	Power Cord Cpl. Europe
30	0079287002	Power Cord Cpl. New Zealand / Australia
40	0079287001	Power Cord Cpl. Great Britain
50	0079287300	Power Cord Cpl. USA / CAN
60	0079287000	Power Cord India
70	0079287405	Power Cord Cpl. South Africa

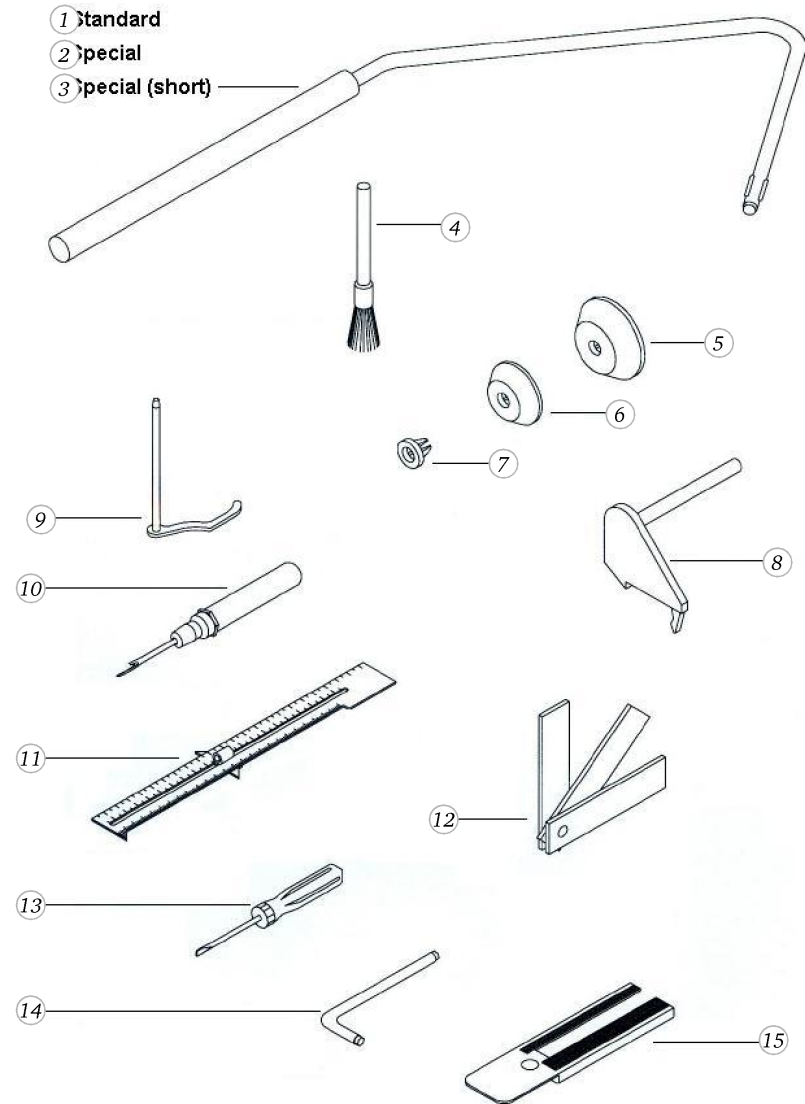




Pos	Item number	Description
4	0079887501	FOOT CONTROLLER CLASSIC-LV1
1	1046637000	Foot Controller with Back Kick
3	0082655000	HOLDER
4	0026985001	Foot
5	0082957100	FOOT CONTROL CABLE SET
6	0026437000	Slidegate Valve Of Cpl.
7	325278030+	CONTACT PLATE
8	325355031+	TRACER PIN
9	25503303++	PRESSURE SPRING
10	25570103++	PRESSURE SPRING
11	325371030+	PRESSURE YOKE
12	0026457204	Footstep Disk Housing Cpl Footstep NCS (CLASSIC) Housing NCS
13	0026515002	Bride
14	20302323++	CYL. SCREW
15	0079875201	Wire Plate

BERNINA artista 200

Accessories

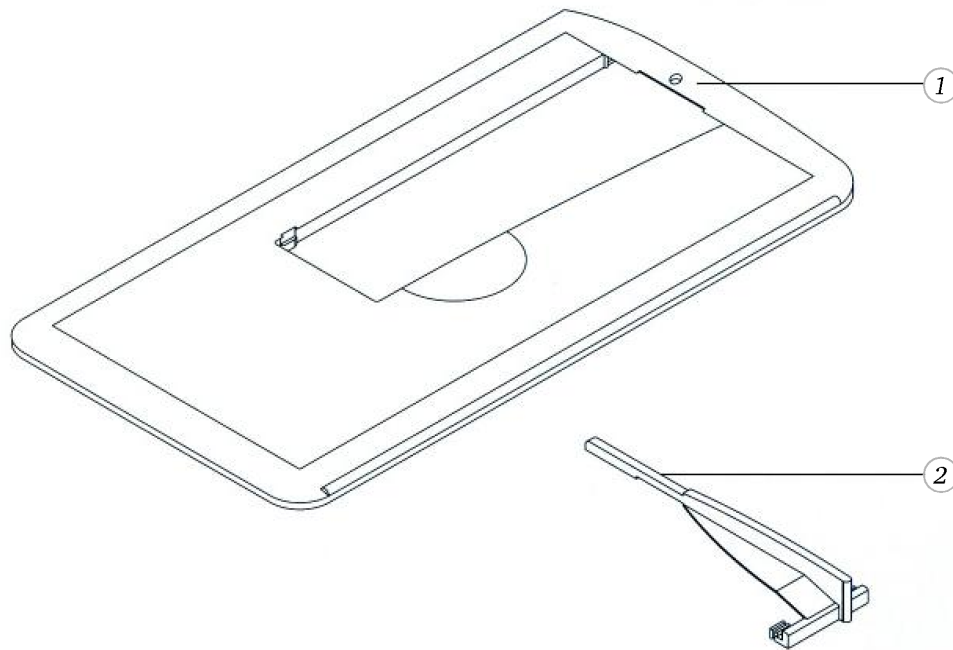


Pos	Item number	Description
1	0016357700	Knee Lifter Lever Cpl.
2	0016357301	KNEELEVER SPECIAL
3	0016357302	KNEE LIFTER LEVER
4	330022031+	DUST-BRUSH
4	33002203++	Brush
5	0079305101	DISK D43
6	0079305200	Disc D27
7	0079265200	Disc D 12
8	0079125200	SPOOL-SUPPORT
8	0079125300	SPOOL SUPPORT
9	0015417000	EDGE GUIDE RIGHT
10	0069935201	Seam Ripper
11	0069925000	SEWING TEMPLET
12	0032605000	Compensating-Plates
12	0032605100	Compensating Plates
13	0328465000	Screw Driver red RAL 3025 2,5x0,4x84,5
14	0333297101	Torx wrench T20 packed
15	0030095100	GUIDE PLATE LARGE

BERNINA artista 200

Sewing platform

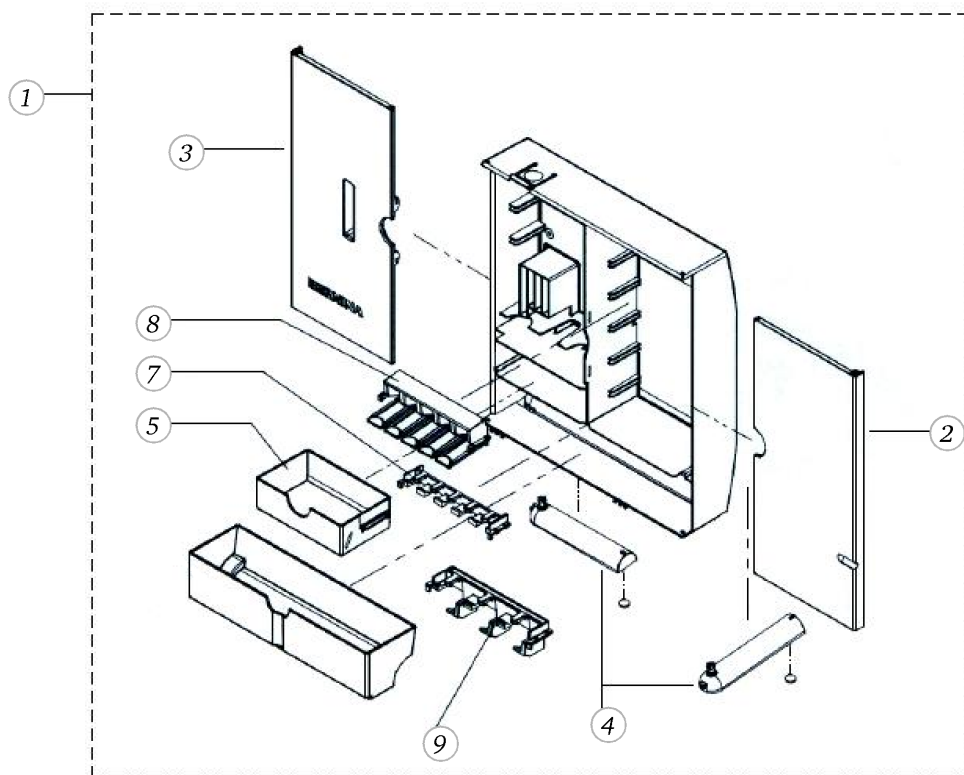
Pos	Item number	Description
1	0088685000	SEWING PLATFORM
2	0079475100	SEAM GUIDE



BERNINA artista 200

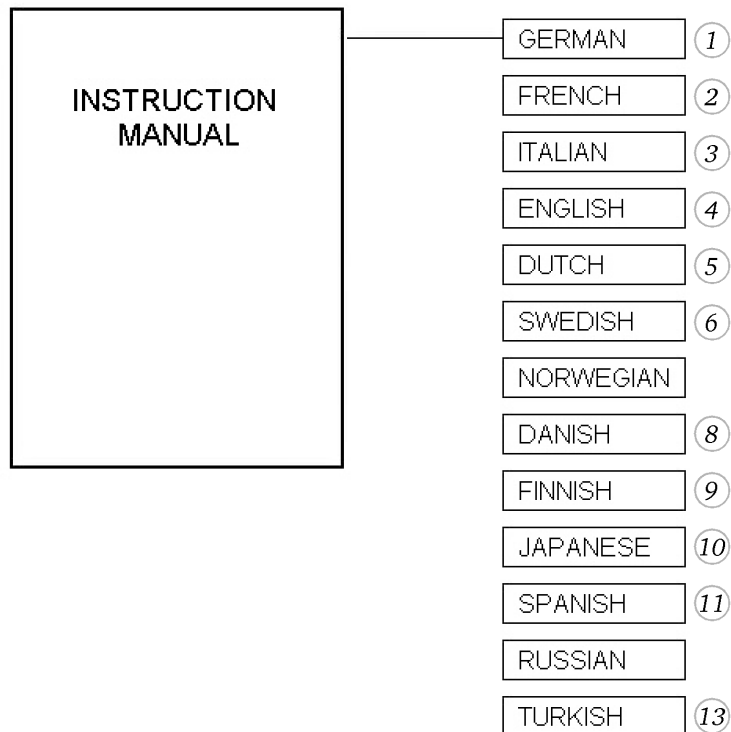
Accessories box

Pos	Item number	Description
1	0303967101	ACCESSORIES BOX CPL.
2	0303975001	DOOR RIGHT
3	0303985001	DOOR-LEFT
3	0303985201	door left without bulges smoke transparent
4	0303997001	SWING FOOT CPL. WHITE
5	0304005001	DRAWER SMALL WHITE
7	0304025000	Rack For Foot
8	0304035000	RACK FOR BOBBIN
9	0306165000	SEWING FOOT HOLDER 9MM



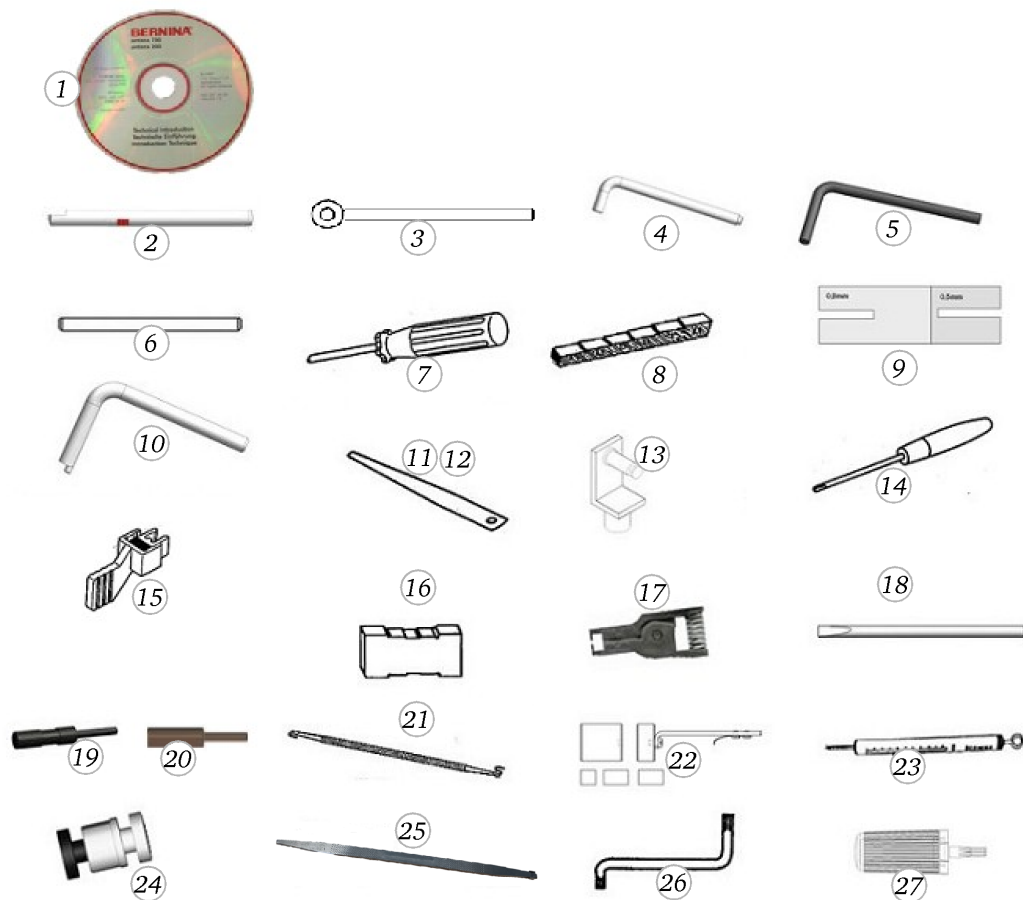
BERNINA artista 200

Instruction manual



Pos	Item number	Description
1	0307947101	MANUAL A200 SM+EMB D
2	0307947102	MANUAL A200 SM+EMB FR
3	0307947103	MANUAL A200 SM+EMB IT
4	0307947104	MANUAL A200 SM+EMB EN
5	0307947105	MANUAL A200 SM+EMB
6	0307947006	MANUAL A200 SM+EMB S
7	0307947107	MANUAL A200 SM+EMB NO
8	0307947108	MANUAL A200 SM+EMB DA
10	0307947110	MANUAL A200 SM+EMB JA
11	0307947111	MANUAL A200 SM+EMB ES
12	0307947118	MANUAL A200 SM+EMB RU
13	0307947019	MANUAL A200 SM+EMB TR

BERNINA artista 200



Gauges

Pos	Item number	Description
1	0322575000	TECH.INSTR. CD-ROM A730
2	0304305100	ADJUSTING PIN
3	0329357000	HANDLEBAR CPL
4	0013565000	SPEC. GAUGE
5	0027335000	Pin-tool
6	0079375000	ADJUSTING GAUGE
7	0013617000	BUTTON-HOLE ECC. KEY
8	398031133+	Adjusting Tool Sewing Foot
9	398026131+	ADJUSTING T00LS
10	0315635000	EXCENTER ADJ.TOOL
11	398022030+	0.3 MM FEELER GAUGE
12	398111030+	TRACE GAUGE 0.15 MM
13	0065437001	CORNER W.WEIGHT
14	398097030+	ADJUSTING KEY
15	0089617200	FILTER CPL.
16	398024031+	FEED DOG HIGH GAUGE
17	0329485000	Extractor Eeprom
18	0319355000	Plug Tamping Tool
19	7341015000	GAUGE THREADER-HEAD
20	0308835000	GAUGE L = 26
21	398112030+	Spring-hook
22	0087097200	SETTING WEIGHT-SET
23	0060385000	spring balance 100gr.
24	0319397000	BOBBIN WINDER DEVICE BERNINA
25	398083030+	FITTING TOOL
26	0079935000	ADJUSTING KEY
27	0304755100	Screwdriver Torx